

Gold Series

vänEE 1001 HRV

Part no. 43828

71 to 163 CFM (0.3 in. w.g.)
64 to 146 CFM (0.4 in. w.g.)



VB0024

FOR RENOVATION AND CUSTOM BUILT HOUSES

Designed for homeowners seeking the best performance, added value, quality and a longer warranty.

Recognized for its unsurpassed quality and superior craftsmanship, the Gold Series reflects a new level of exceptional performance. It is guaranteed to satisfy the homeowner looking for durability, reliability and performance. The Gold Series: The best of the vanEE experience.

Solid Performances

- Best heat recovery in its category
- Best airflow range in its category
- Exclusive convertible HRV to an ERV (Latent Recovery Core)
- Blower design makes the unit quieter than ever

Superior Craftsmanship

- External electrical access side panel
- Integrated balancing dampers
- All serviceable parts removable in 5 minutes
- Aluminum framed foam filter
- Improved sliding system for core insertion
- Exclusive, deeper one piece condensation tray to prevent water leakage
- No sharp angles on metal parts
- Exclusive, reinforced housing
- Improved defrost damper and damper mechanism, designed to operate during the toughest weather conditions

Tradition of Quality

- Proven technology and mechanical simplicity for heat recovery
- Low motor temperature operation for longer life expectancy
- 5-year warranty
- ENERGY STAR® qualified

Available at:

HEAT RECOVERY VENTILATOR

Controls and options

- Our main control Platinum (no. 40465) allows you to manage your ventilation with a programmable mode. This control also features our fully automated optimizer mode called the Smart mode.
- The following main controls are also available:
 - Deco-Touch digital control no. 40300
 - Basic no. 40210
- Also, one or more of the following auxiliary wall controls can also be added:
 - Dehumidistat no. 200694
 - 20/40/ 60-min. push button no. 03701
 - 60-min. Mechanical timer no. 00910

For more details about controls, refer to their specification sheet and to the **Main and auxiliary wall control user guide** at www.vanee.ca.

- Integrated furnace interlock relay
- Complete line of registers and diffusers
- Electric duct heater

No Negative Pressure Defrost

Defrost system ensures that no negative pressure is created by air exhausted to the outdoors, as the air is recirculated into the house, helping to prevent any backdraft.

OUTSIDE TEMPERATURE		DEFROST CYCLE MIN./ OPERATING MIN.
°C	°F	
WARMER THAN -5	WARMER THAN 23	No DEFROST
-5 TO -27 AND LESS	23 TO -17 -17 AND LESS	6/32 6/20

Heat Recovery Core

Dimensions: 12" x 12" x 12.875" (30.5 cm x 30.5 cm x 32.7 cm)

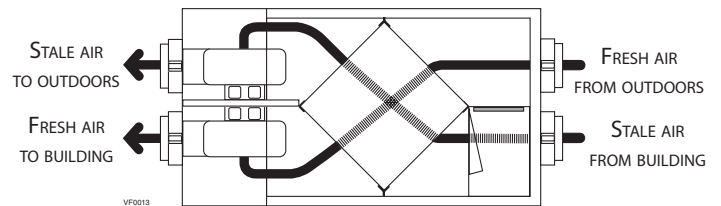
Exchange surface: 120 ft.² (11.16 m²)

Weight: 8.5 lb. (3.85 kg)

Material: Polypropylene

Type: Cross Flow

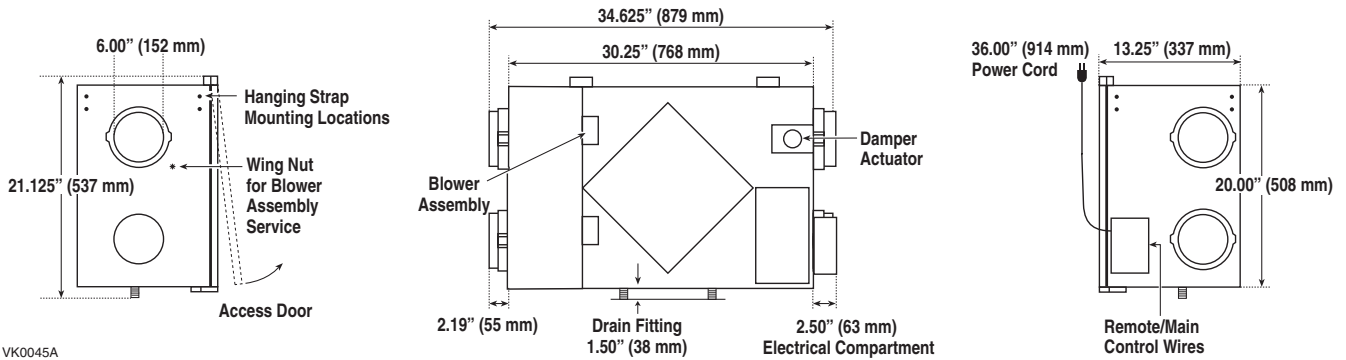
Warranty: Limited lifetime



Requirements and standards

- Complies with the CSA C22.2 no. 113 Standard applicable to ventilators
- Complies with CSA C444 requirements regulating the installation of Heat Recovery Ventilators
- Technical data was obtained from published results of tests relating to CSA C439 Standards
- HVI certified and ENERGY STAR® qualified

DIMENSIONS: VÄNEE 1001 HRV

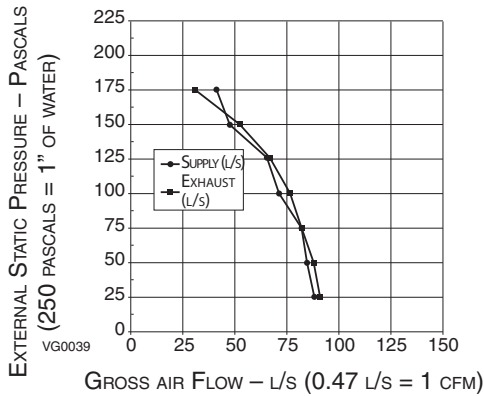


VK0045A

NOTE: ALL UNITS PORTS WERE CREATED TO BE CONNECTED TO DUCTS HAVING A MINIMUM OF 6" DIAMETER, BUT IF NEED BE, THEY CAN BE CONNECTED TO BIGGER SIZED DUCTS BY USING AN APPROPRIATE TRANSITION (E.G.: 6" DIAMETER TO 7" DIAMETER TRANSITION).

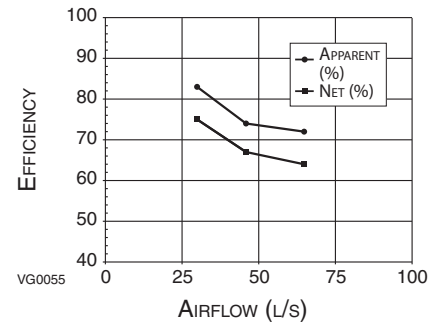
VENTILATION PERFORMANCE

EXTERNAL STATIC PRESSURE		NET SUPPLY AIR FLOW		GROSS AIR FLOW			
				SUPPLY		EXHAUST	
PA	IN. W.G.	L/S	CFM	L/S	CFM	L/S	CFM
25	0.1	84	77	88	186	90	190
50	0.2	80	169	84	178	86	182
75	0.3	77	163	81	171	81	171
100	0.4	69	146	72	153	76	161
125	0.5	61	130	65	137	66	139
150	0.6	46	98	49	103	52	110
175	0.7	38	81	40	85	32	67



ENERGY PERFORMANCE

SUPPLY TEMPERATURE		NET AIR FLOW		POWER CONSUMED WATTS	SENSIBLE RECOVERY EFFICIENCY	APPARENT SENSIBLE EFFECTIVENESS	LATENT RECOVERY/MOISTURE TRANSFER
°C	°F	L/s	CFM				
HEATING					%	%	
0	32	28	60	54	75	83	-0.03
0	32	46	97	78	67	74	-0.01
0	32	65	138	124	64	72	-1.02
-25	-13	26	55	62	66	87	0.05
COOLING					TOTAL RECOVERY EFFICIENCY		
35	95				NOT TESTED		



NOTE: All specifications are subject to change without notice.

SPECIFICATIONS

- Model: 1001 HRV
- Part Number: 43828
- Total Assembled Weight (including polypropylene core): 65 lb. (30 kg)
- Round shaped ports; fit 6" round ducts
- Drains: 1/2" (1.2 cm) fittings
- Filters: 2 washable 30 ppi reticulated foam 11.75" x 12.87" x 0.75" (29.85 cm x 32.69 cm x 1.9 cm)
- Housing: Pre-painted steel
- Insulation: 1" aluminum foil faced fiberglass
- Mounting: Reinforced rubber straps (or chains) and hardware provided to suspend unit
- Fan Speed Control:
 - Low, increased low and high speed
 - Two speeds available to user
 - Low or increased low speed is selected at the time of installation
- Supply and Exhaust Blower Motor:
 - Bearings: Sleeve bearings
 - Type: PSC
- Unit Electrical Characteristics:

Volts	Frequency	Amps	Watts
120	60 Hz	1.4	147

Project:	REMARKS
Location:	
Part no.: 45828	
Qty.:	
Submitted by:	Date:



550 Lemire Blvd., Drummondville, Qc, Canada J2C 7W9 - Tel.: 1-800-567-3855 Fax: 1-800-567-1715



www.vanee.ca

15/02

PRODUCT SHEET NO. 90190