

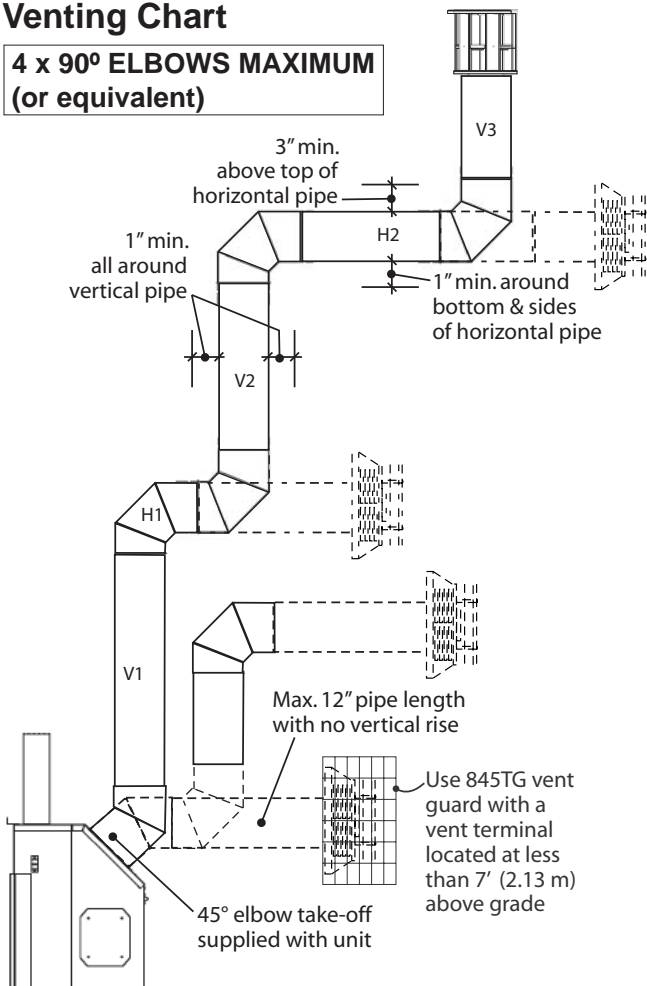
How to Read the Venting Chart

The chart below applies to co-axial roof or wall termination.

1. Maximum 12 inch horizontal pipe section allowed with no vertical in vent system.
2. The total length of the vent pipe cannot exceed 40 feet.
3. The minimum vertical height with roof termination is 6 feet.
4. Any combination of rise and run can be used as long as they are within the allowable limits shown on the chart below.
5. A maximum of 4 x 90 degrees elbows—or equivalent (2 x 45 degrees = 90 degrees)—can be used. Excludes the 45 degrees take-off elbow shipped with the appliance.

Venting Chart

**4 x 90° ELBOWS MAXIMUM
(or equivalent)**



Example 1
V Value = V1 (3') + V2 (2') + V3 (1') = 6'
H Value = H1 (3') + H2 (2') = 5'
Restrictor position #1 required

6. Each 90 degrees elbow installed on the horizontal plane is equivalent to a 3 feet horizontal pipe; therefore, 3 feet must be subtracted from allowable horizontal run. (45 degrees elbow is equivalent to 18 inches horizontal pipe.)
7. All horizontal pipe runs must be graded 1/4 inch per foot upwards in the direction of the exhaust flow. The final pipe length, when terminating through the wall may be graded downwards slightly to prevent water migration.
8. A restrictor adjustment is required for most installations having a vertical rise—see next section.
Note: The restrictors are shipped loose with the appliance.

Allowable Co-Axial Vent Configurations with restrictor positions

