

**Gold Series**

**vănEE 2001 HRV**

**Part no. 45828**

114 to 250 CFM (0.3 in. w.g.)

108 to 235 CFM (0.4 in. w.g.)



VB0024

**FOR RENOVATION AND CUSTOM BUILT HOUSES**

Designed for homeowners seeking the best performance, added value, quality and a longer warranty.

Recognized for its unsurpassed quality and superior craftsmanship, the Gold Series reflects a new level of exceptional performance. It is guaranteed to satisfy the homeowner looking for durability, reliability and performance. The Gold Series: The best of the vănEE experience.

**Solid Performances**

- Best heat recovery in its category
- Best airflow range in its category
- Exclusive convertible HRV to an ERV (Latent Recovery Core)
- Blower design makes the unit quieter than ever

**Superior Craftsmanship**

- External electrical access side panel
- Integrated balancing dampers
- All serviceable parts removable in 5 minutes
- Aluminum framed foam filter
- Improved sliding system for core insertion
- Exclusive, deeper one piece condensation tray to prevent water leakage
- No sharp angles on metal parts
- Exclusive, reinforced housing
- Improved defrost damper and damper mechanism, designed to operate during the toughest weather conditions

**Tradition of Quality**

- Proven technology and mechanical simplicity for heat recovery
- Low motor temperature operation for longer life expectancy
- 5-year warranty
- ENERGY STAR® qualified

Available at:

**HEAT RECOVERY VENTILATOR**

**Controls and options**

- Our main control Platinum (no. 40465) allows you to manage your ventilation with a programmable mode. This control also features our fully automated optimizer mode called the Smart mode.
- The following main controls are also available:
  - Deco-Touch digital control no. 40300
  - Basic no. 40210
- Also, one or more of the following auxiliary wall controls can also be added:
  - Dehumidistat no. 200694
  - 20/40/ 60-min. push button no. 03701
  - 60-min. Mechanical timer no. 00910

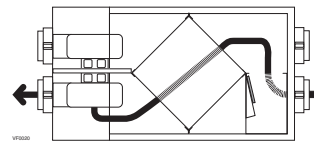
For more details about controls, refer to their specification sheet and to the **Main and auxiliary wall control user guide** at [www.vanee.ca](http://www.vanee.ca).

- Integrated furnace interlock relay
- Complete line of registers and diffusers
- Electric duct heater

**No Negative Pressure Defrost**

Defrost system ensures that no negative pressure is created by air exhausted to the outdoors, as the air is recirculated into the house, helping to prevent any backdraft.

OUTSIDE TEMPERATURE		DEFROST CYCLE MIN./ OPERATING MIN.
°C	°F	
WARMER THAN -5	WARMER THAN 23	No DEFROST
-5 TO -27	23 TO -17	6/32
AND LESS	AND LESS	6/20



**Heat Recovery Core**

Dimensions: 12" x 12" x 16.75" (30.5 cm x 30.5 cm x 42.54 cm)

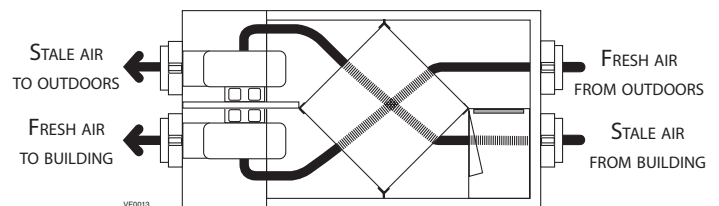
Exchange surface: 166 ft.<sup>2</sup> (15.44 m<sup>2</sup>)

Weight: 9.5 lb. (4.3 kg)

Material: Polypropylene

Type: Cross Flow

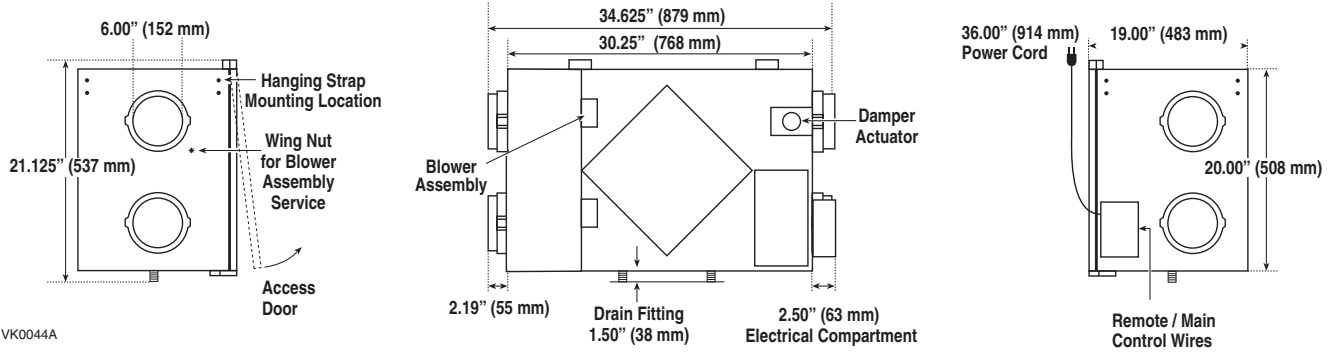
Warranty: Limited lifetime



**Requirements and standards**

- Complies with the CSA C22.2 no. 113 Standard applicable to ventilators
- Complies with CSA C444 requirements regulating the installation of Heat Recovery Ventilators
- Technical data was obtained from published results of tests relating to CSA C439 Standards
- HVI certified and ENERGY STAR® qualified

# DIMENSIONS: VÄNEE 2001 HRV



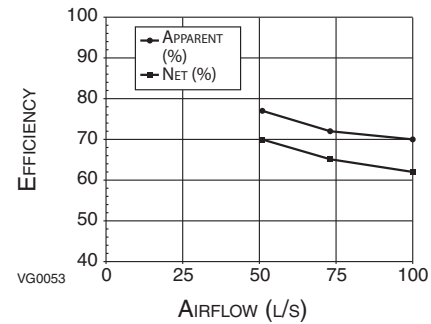
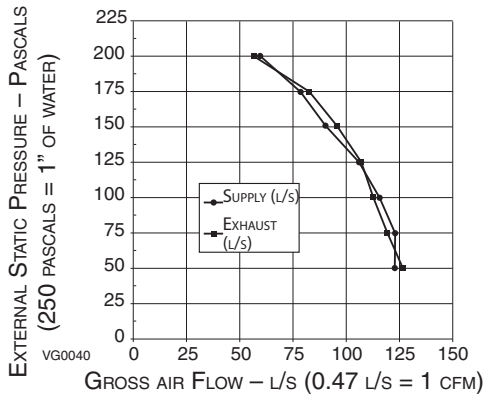
NOTE: ALL UNITS PORTS WERE CREATED TO BE CONNECTED TO DUCTS HAVING A MINIMUM OF 6" DIAMETER, BUT IF NEED BE, THEY CAN BE CONNECTED TO BIGGER SIZED DUCTS BY USING AN APPROPRIATE TRANSITION (E.G.: 6" DIAMETER TO 7" DIAMETER TRANSITION).

## VENTILATION PERFORMANCE

EXTERNAL STATIC PRESSURE		NET SUPPLY AIR FLOW		GROSS AIR FLOW			
				SUPPLY		EXHAUST	
PA	IN. W.G.	L/S	CFM	L/S	CFM	L/S	CFM
50	0.2	119	253	125	264	126	268
75	0.3	118	250	124	262	118	251
100	0.4	111	235	116	245	114	241
125	0.5	102	216	106	224	107	226
150	0.6	87	185	91	193	96	204
175	0.7	76	160	79	167	81	172
200	0.8	57	120	59	124	57	121

## ENERGY PERFORMANCE

SUPPLY TEMPERATURE		NET AIR FLOW		POWER CONSUMED	SENSIBLE RECOVERY	APPARENT SENSIBLE	LATENT RECOVERY/
°C	°F	L/s	CFM	WATTS	EFFICIENCY	EFFECTIVENESS	MOISTURE TRANSFER
HEATING							
0	32	51	109	92	70	77	-0.01
0	32	73	155	128	65	72	-0.02
0	32	102	215	191	62	70	-0.01
-25	-13	52	110	104	60	94	0.05
COOLING							
35	95				TOTAL RECOVERY EFFICIENCY		
NOT TESTED							



NOTE: All specifications are subject to change without notice.

## SPECIFICATIONS

- Model: 2001 HRV
- Part Number: 45828
- Total Assembled Weight (including polypropylene core): 73 lb. (33 kg)
- Round shaped ports; fit 6" round ducts
- Drains: 1/2" (1.2 cm) fittings
- Filters: 2 washable 30 ppi reticulated foam 11.75" x 16.75" x 0.75" (29.85 cm x 42.55 cm x 1.9 cm)
- Housing: Pre-painted steel
- Insulation: 1" aluminum foil faced fiberglass
- Mounting: Reinforced rubber straps (or chains) and hardware provided to suspend unit
- Fan Speed Control:
  - Low, increased low and high speed
  - Two speeds available to user
  - Low or increased low speed is selected at the time of installation
- Supply and Exhaust Blower Motor:
  - Bearings: Sleeve bearings
  - Type: PSC
- Unit Electrical Characteristics:
 

Volts	Frequency	Amps	Watts
120	60 Hz	1.9	202

Project:	REMARKS
Location:	
Part no.: 45828	
Qty.:	
Submitted by:	Date:



550 Lemire Blvd., Drummondville, Qc, Canada J2C 7W9 - Tel.: 1-800-567-3855 Fax: 1-800-567-1715



www.vanee.ca

15/02

PRODUCT SHEET NO. 90197