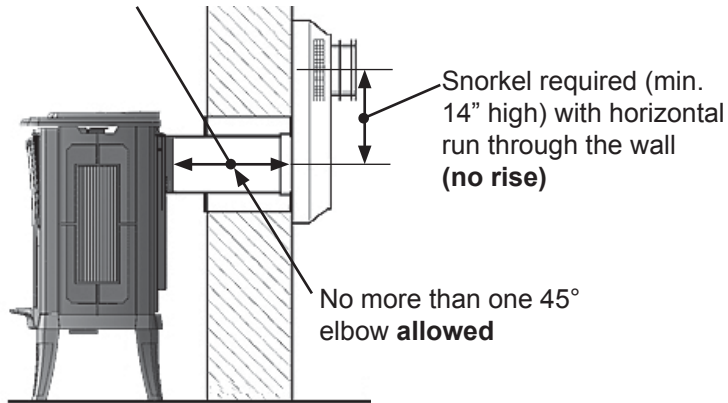
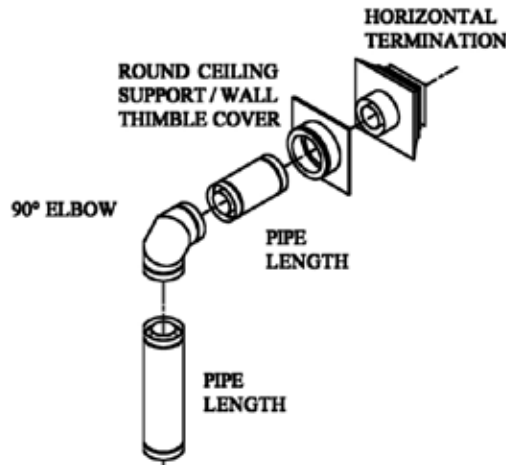


Venting

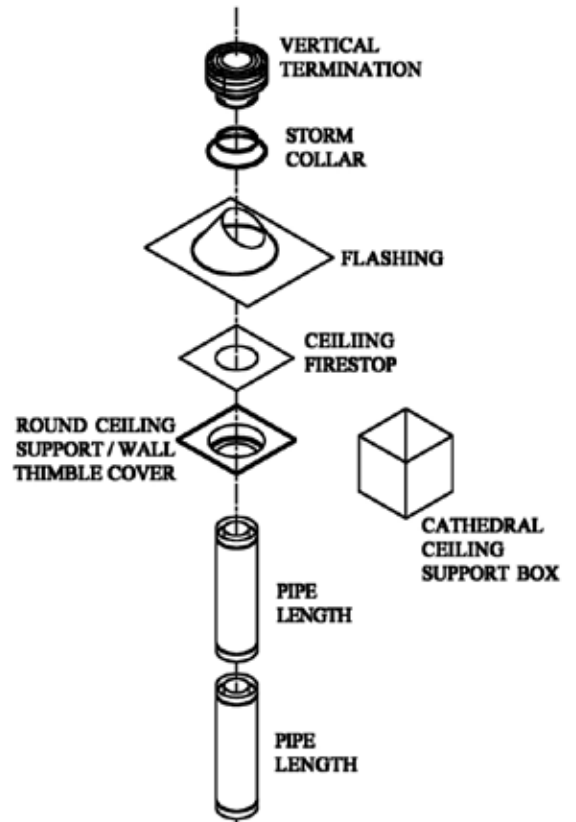
Maximum pipe length:
24" (straight out with snorkel)
14" (45° elbow out with snorkel)



Through wall (without vertical rise)



Through wall (with vertical rise)

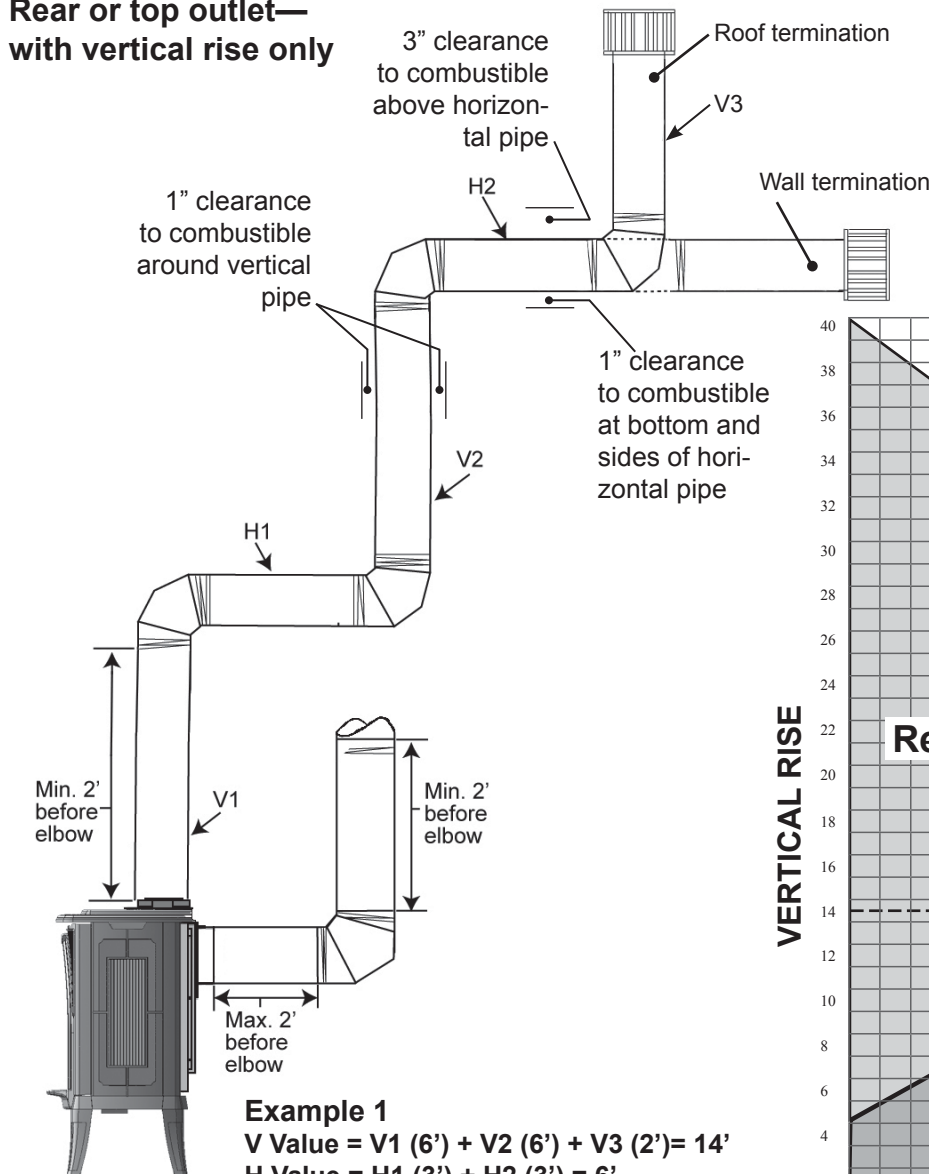


Through roof



1. The total length of the vent pipe cannot exceed 40 feet (12.2 m).
2. The minimum vertical height with roof termination is 8 feet (2.45 m).
3. Any combination of rise and run can be used as long as they are within the allowable limits shown on the chart below.
4. A maximum of 5 x 90 degrees elbows or equivalent (2 x 45 degrees = 90 degrees) can be used.
5. Each 90 degrees elbow installed on the horizontal plane is equivalent to a 3 feet horizontal pipe; therefore, 3 feet must be subtracted from allowable horizontal run. (45 degrees elbow is equivalent to 18 inches horizontal pipe.)
6. All horizontal pipe runs must be graded 1/4 inch per foot upwards in the direction of the exhaust flow.
7. **Co-linear rear venting** in existing chimney systems is limited to 40 feet vertical rise.
8. **Restrictors are not required** for co-linear installations.

**Rear or top outlet—
with vertical rise only**



Example 1
 $V \text{ Value} = V1 (6') + V2 (6') + V3 (2') = 14'$
 $H \text{ Value} = H1 (3') + H2 (3') = 6'$
75% restrictor required

Not to scale

**5 x 90° ELBOWS
MAXIMUM**

