

LUXOR[®]

Gas Fires

Outdoor Ventless Stainless Steel Gas Fireplace Model MBO-36

Canadian Fire Hearth Mfg
7075-Beatty Drive, Mission B.C. V2V-6C4

Installation and Owner's Manual



WARNING: If the information in these instructions is not followed exactly, a fire or explosion may result causing property damage, personal injury or death.

--Do not store or use gasoline or other flammable vapors and liquids in the vicinity of this or any other appliance.

--WHAT TO DO IF YOU SMELL GAS

- Do not try to light any appliance
- Do not touch any electrical switch; do not use any phone in your building;
- Immediately call your gas supplier from a neighbor's phone. Follow the gas supplier's instructions.
- If you cannot reach your gas supplier, call the fire department.

-- Installation and service must be performed by a qualified installer, service agency or the gas supplier.

INSTALLER: Leave this manual with the customer
CUSTOMER: Retain this manual for future reference

FOR OUTDOOR INSTALLATION ONLY

PLEASE NOTE: This product has been manufactured using steel and screws. As a result, there are many sharp edges that can easily cut exposed skin. It is highly recommended that you wear proper protective gloves while installing the unit, and during routine cleaning or maintenance.



Table of Contents

Page 1.....	Cover Page with Safety Information
Page 2.....	Table of Contents
Page 3 & 4.....	Customer Greeting & Safety Information
Page 5.....	Features and Specifications
Page 6.....	Framing Specifications
Page 7.....	Finishing/Mantel Allowances
Page 8.....	Installation
Page 9.....	Installation cont.
Page 10.....	Clearance Specifications
Page 11.....	Lighting Instructions
Page 12.....	Thermostat
Page 13.....	Log Set Installation
Page 14.....	Log Set Installation cont.
Page 15.....	Log Set Installation cont.
Page 16.....	Flame Quality
Page 17.....	Replacement Parts
Page 18.....	Final Checks
Page 19.....	Warranty

WARNING!

- FOR OUTDOOR USE **ONLY**. This appliance can only be installed in a well-vented space and shall **NOT** be used inside a building, garage, or any other enclosed area.
- DO NOT LEAVE FIREPLACE UNATTENDED WHEN IN USE.
- THIS APPLIANCE **MUST NOT** BE USED FOR COOKING.
- THIS APPLIANCE IS NOT FOR USE WITH SOLID FUEL.
- DO NOT ALLOW WIND TO BLOW DIRECTLY INTO THE APPLIANCE. Avoid any strong drafts that alter the flame pattern.
- DO NOT ALLOW HEAVY RAIN FALL DIRECTLY INTO APPLIANCE. Although this unit meets certification standards for outdoor appliances it maybe installed unsheltered and exposed directly to many weather conditions. Avoid any prolonged heavy rain exposure directly into the firebox. Use the optional cover when extended shutdown periods are anticipated

CONGRATULATIONS

Welcome to Our Luxor Gas Fireplace Family

We hope you've had an easy and enjoyable time choosing from our line of products, and we certainly appreciate your business. Please take some time to read through the following information, and make sure to heed all of the warnings. Even though our fireplaces are easy to install and simple to operate, they are still gas burning units with some inherent dangers if not careful

Date Purchased: _____

Dealer: _____

Installer: _____

Phone: _____ Serial Number: _____

FOR YOUR SAFETY – Read before lighting

DO NOT: Use tools to operate controls. Use only your hand to push in and turn controls.

DO NOT: Clean the appliance when hot.

DO NOT: Use this appliance if you smell gas.

DO NOT: Use this appliance if any part has been under water. Immediately call a qualified service technician to inspect the appliance and replace any part of the control system and any gas control which has been under water.

General Safety (Home Owner)

- Fire Extinguisher: Every home should have at least one fire extinguisher. An approved Class A-B-C extinguisher should be mounted on the wall near an exit and close to the application, but not so close that accessibility to the extinguisher could be blocked by a fire. Your local Fire Department can advise you concerning the most appropriate location.
- Smoke Detectors & Carbon Monoxide Detectors on each floor of your home to ensure your safety. It should be located away from the gas appliance and close to the sleeping areas. Follow the detector's manufacturer's placement installation and maintenance instructions.

Safety for the installer

Wear gloves and safety glasses for protection.
Be aware of electrical wiring locations in walls and ceilings.
Use a back support for heavy lifting.

Carbon Monoxide Poisoning: Early signs of carbon monoxide poisoning are similar to the flu with headaches, dizziness and/or nausea. If you have these signs, obtain fresh air immediately.

Installation and repair should be done by a qualified service person. The appliance should be inspected before use and at least annually by a professional service person. More frequent cleaning may be required due to excessive lint from carpet, bedding material, etcetera. It is imperative that control compartments, burners and circulating air passageways of the appliance be kept clean.

This appliance is only for use with Natural Gas as indicated on the rating plate.

Note: The copy in the manual is for reference only. In the event of a discrepancy, the label on the unit is to be taken as the latest version.

GAS SUPPLY

ONLY PERSONS LICENSED TO WORK WITH GAS PIPING MAY MAKE THE NECESSARY GAS CONNECTION TO THIS APPLIANCE. YOU ARE NOW READY TO HOOK UP THE GAS SUPPLY. BE SURE GAS PLUMBING INSTRUCTIONS AND ALL PROVINCIAL AND LOCAL CODES ARE CAREFULLY FOLLOWED. USE APPROVED FLEXIBLE GAS CONNECTIONS OR RIDGID PIPING, DEPENDING ON PROVINCIAL AND LOCAL CODES, TO ATTACH BURNER TO GAS SUPPLY. BE SURE TO USE PROPER SIZE GAS SUPPLY LINE. CAREFULLY CHECK ALL CONNECTIONS FOR GAS LEAKS WITH SOAP AND WATER SOLUTION.

EACH INSTALLATION MUST CONFORM TO ALL LOCAL, PROVINCIAL, AND NATIONAL CODES. REFER TO THE NATIONAL FUEL GAS CODE, LOCAL ZONING AND CODE AUTHORITIES FOR DETAILS ON INSTALLATION REQUIREMENTS.

WARNING

DO NOT burn **ANY** materials in this fireplace.

All occupants of the home, especially children, should be alerted about the hazards of the high surface temperature and the chance of severe burning or the possible ignition of clothing.

Young children should be carefully supervised when they are in the same room as the appliance.

Due to the high temperatures, the fireplace should be installed away from traffic areas.

Nothing should ever be placed on or near the surface of the fireplace, including the top of the unit.

Clothing or other flammable material should not be placed on or near the appliance.

Make certain the control panel, burner are kept clean. Inspection of these systems should be inspected annually by a qualified service technician.

Any safety screen or guard removed for servicing the appliance must be replaced prior to operating the appliance.

The fireplace, under **NO** circumstances, should ever be modified.

Do not alter gas orifice

Do not operate the fireplace if damaged. Any repairs must be done by a certified technician.

Certification

The Model MBO-36 is listed and certified for installation in the U.S.A. and Canada under the following standards:

ANSI Z21.97 2010/CR97-003.

The installation must conform with local codes or, in the absence of local codes, with the National Fuel Gas and Propane Installation Code, ANSI Z223.1 / NFPA 54 in the US or the Natural Gas and Propane Installation Code, CSA B149.1 in Canada.

Please contact Canadian Fire Hearth Manufacturing if you have any questions regarding the certification of this appliance.

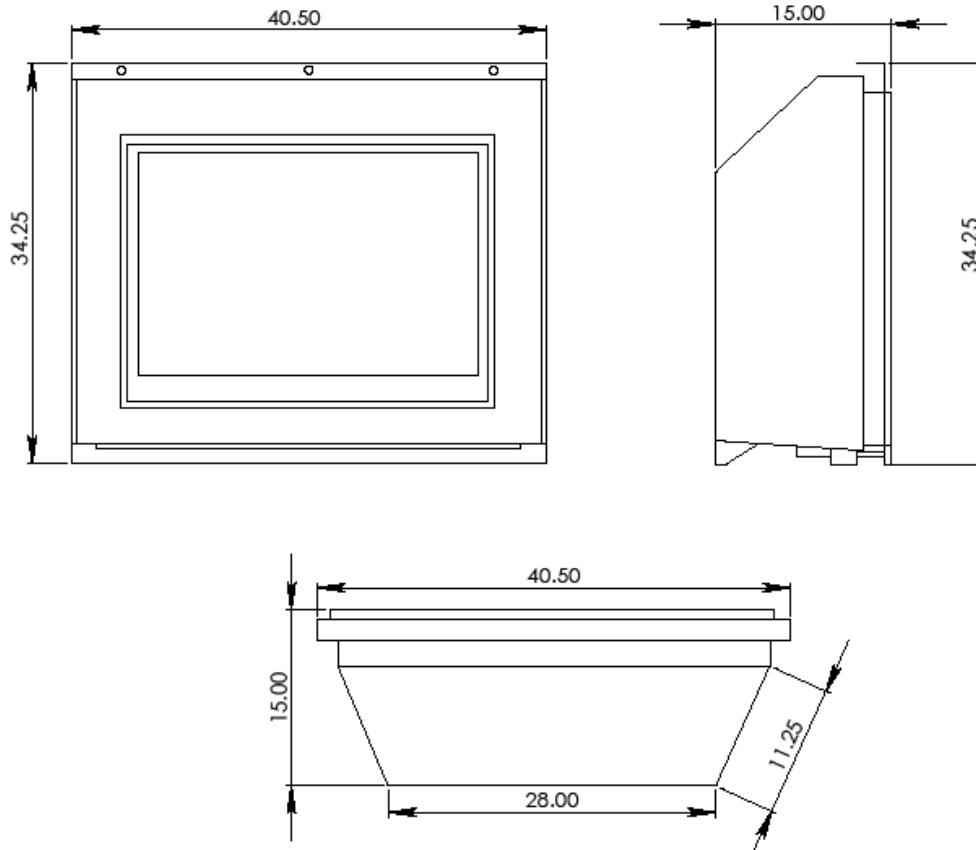
FEATURES AND SPECIFICATIONS

Note: Always check appliance label for correct information

MODEL: MBO36

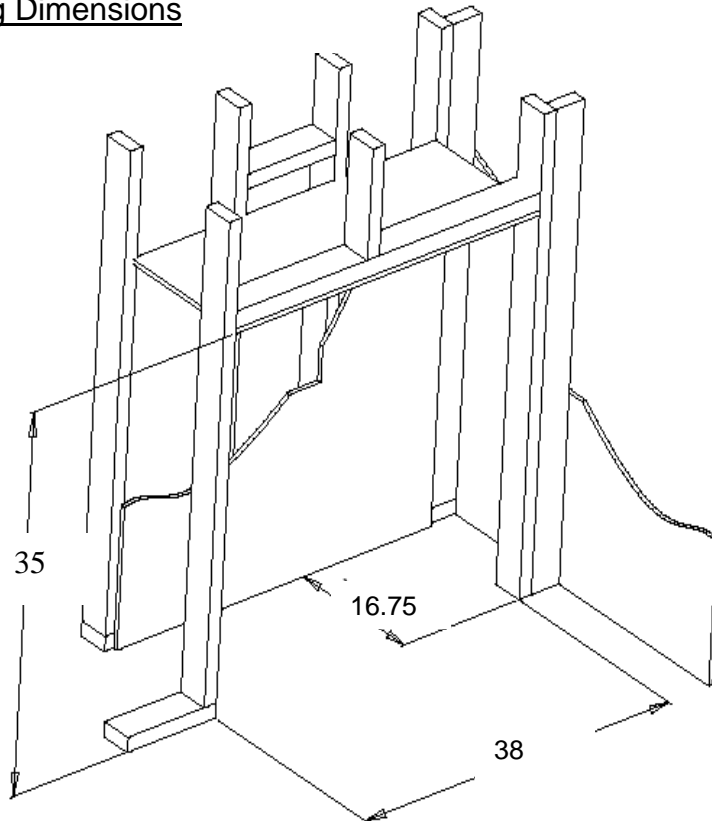
Manifold Pressure	Natural Gas
Min. Supply pressure for purpose of input adjustment	3.5in. w.c. 5.5in. w.c.
Max Supply pressure	11in. w.c.
Orifice size	#35
Nominal input rating	35000 BTU/hr
High altitude (US)	0-2000ft / 0-610m
High altitude (Canada)	0-4500ft / 0-1370m
Primary Air Opening	
Vent System	Ventless
Clean Face Kit (factory installed on all units)	304 Stainless Steel

Please Note: Only products supplied by the manufacturer may be used in the installation of this appliance.



Installation

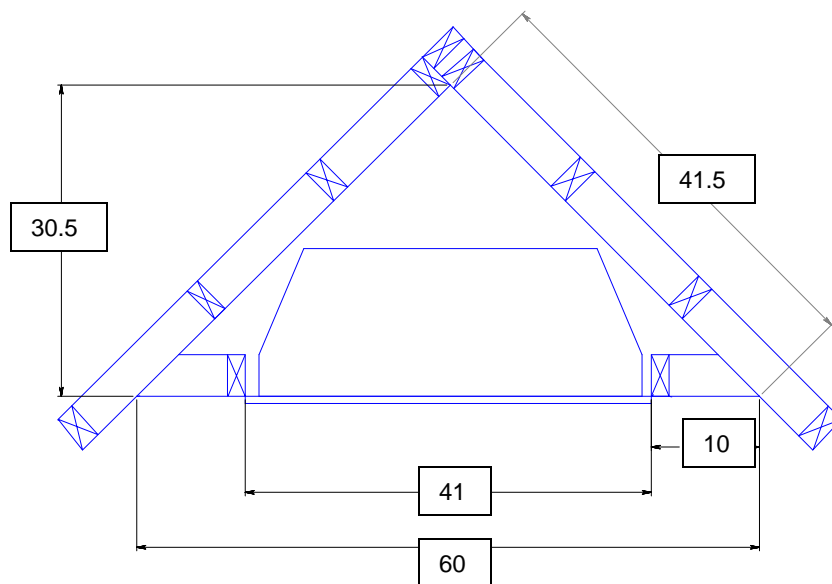
Minimum Framing Dimensions



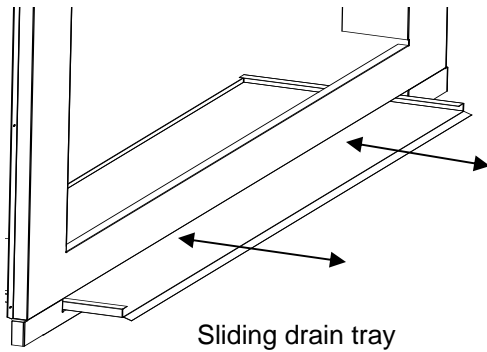
Framing and Clearance

Unit may be installed in any location that maintains proper clearances to air conditioning ducts, electrical wiring and plumbing. Safety, as well as efficiency of operation must be considered in selecting a fireplace location. Select a location that does not interfere with foot traffic has adequate air movement.

Corner Installation

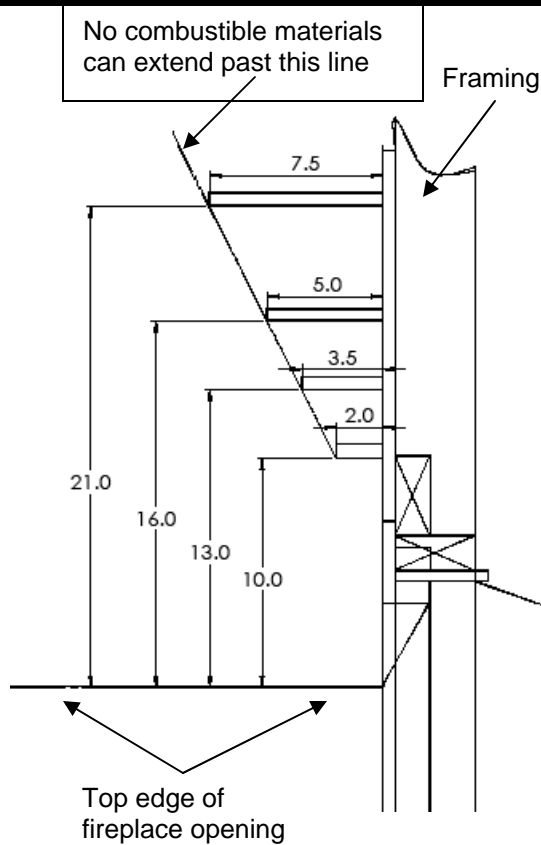


Finishing and Facing Material Considerations

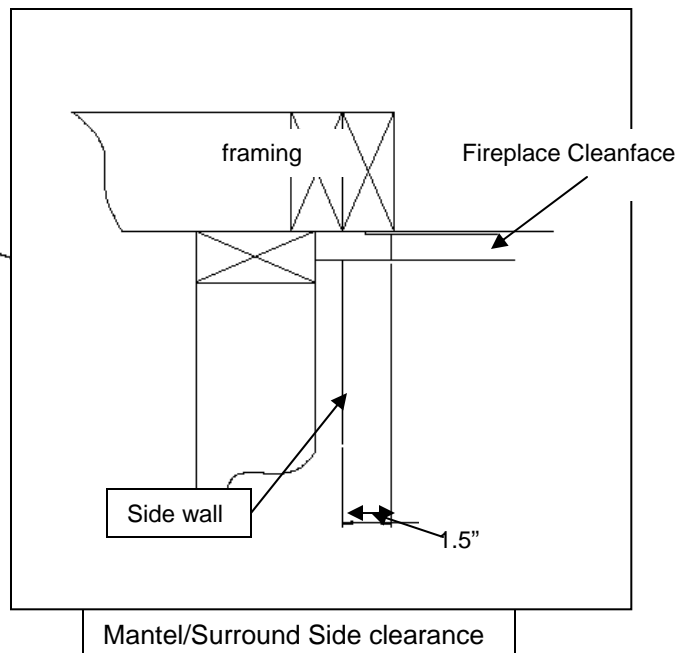


In order to adequately drain the appliance a sliding drain tray is built into the lower section of the unit. In an application where the existing stainless face will be featured, the tray can remain in the inner most position. If a non-combustible material like stone or brick is to be added over the facing the drain tray **must not** be covered. Doing so will prevent proper water drainage. The tray can be pulled out to match the thickness of any desired material.

Mantel Requirements

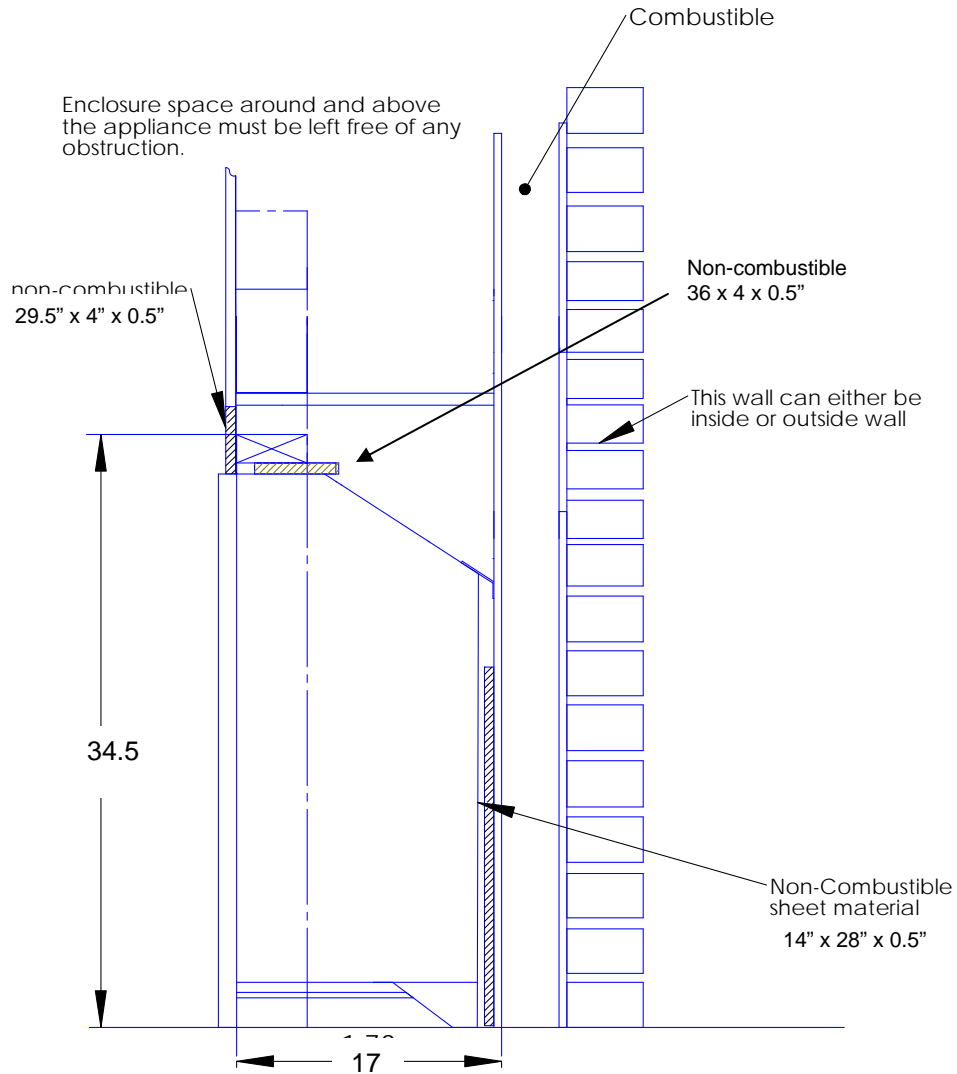


The attached chart represents the maximum allowable mantel or shelf limits using combustible materials determined by in the certification guidelines. Due to the wide range of designs and materials of non-combustible mantels, shelves, and overlays caution must be exercised when choosing to finish this appliance. Any such installations must conform to local codes. For any further information contact CFH Mfg.



Placements of Non-combustible Panels

In any installation in which the unit is installed into a chase constructed of combustible materials ie: plywood, wood framing, convention wall board (including "waterproof" type) a certified non-combustible $\frac{1}{2}$ in thickness or greater board must be installed in the designated areas. PLEASE NOTE: It is mandatory that all supplied non-combustible panels be installed. Failure to do so could result in damage to adjacent materials and/or fire.



NOTE: All non-combustible boards provided by the manufacturer.

Installation Planning

The recommended order of installation is as follows:

- 1 – Familiarize yourself with this manual.
- 2 – Check the minimum installation dimensions.
- 3 – Check your local installation codes.
- 4 – Check you have the parts and components necessary to complete the installation.
- 5 – Check the gas and electrical supplies are ready.
- 6 – Prepare opening (remove any loose materials)
- 7 – Install base unit.
- 8 – Connect gas.
- 9 – Install operational components and prepared for first test fire.
- 10 – Check to verify adequate accessibility clearance for service & proper operation.
- 11 – Check operation of unit.
- 12 – Take time to explain operation to customer (most call backs are caused by the customer not understanding the operation of the unit.)

Installing Gas and Electrical Supply Lines.

Gas and lines must be installed and accessible for the installation of the MBO-36. Natural Gas requires a minimum inlet gas pressure of 5.5 in W.C.. **IMPORTANT:** Installer please allow a portion of the gas line connecting to the appliance to be flexible enough for moving and aligning the appliance into the chase.

Existing Gas Supply

Before interrupting the existing gas supply it is recommended that the following be checked. Shut down all gas appliances and carry out a pressure test to ensure there are no leaks in the system. Before connecting the appliance to the gas supply line, double check that the appliance you have purchased is designed for the gas type you are using. The gas type markings are located on the certification label and also on the appliance's gas valve. Check the gas pressure immediately upstream to ensure you will be able to supply the minimum inlet pressure for the appliance. Check your pipe sizing to ensure sufficient volume will be supplied to the appliance.

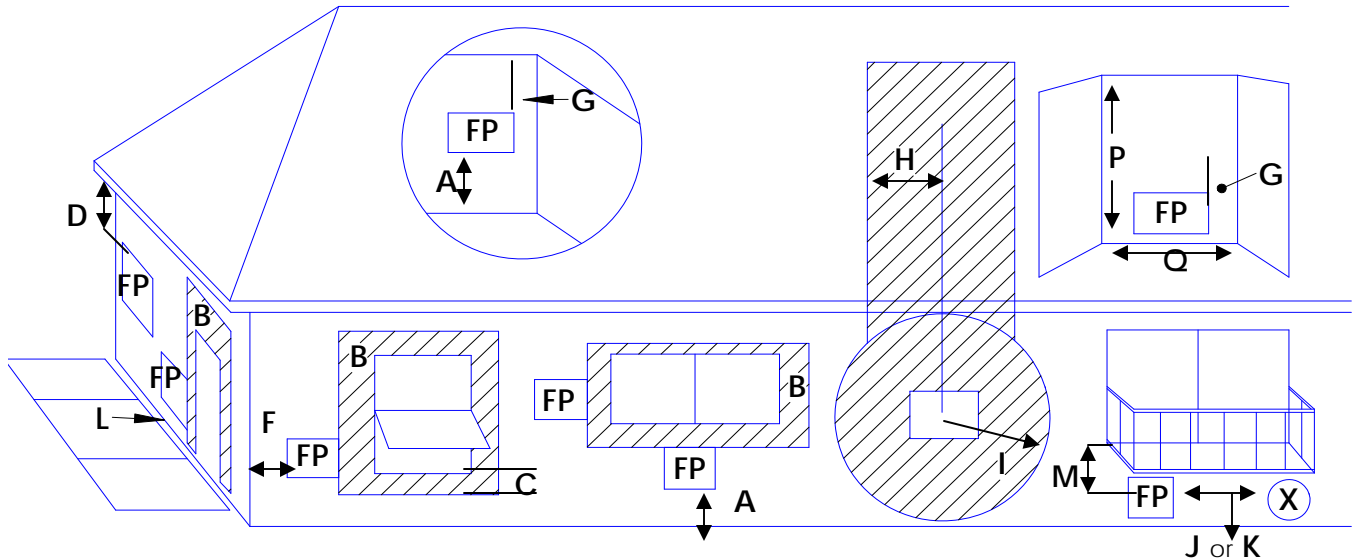
Gas Supply Installation

Provide adequate clearance for the proper installation and checking of the gas connection. Have your gas supplier or a qualified gas fitter run a gas supply line into the gas fireplace. The line must be properly sized and fitted according to the installation codes. Upstream of the appliance supply connection, the fitter shall provide an easily accessible manual shut-off valve. The gas supply pipe should enter the appliance case through the opening at the right side. The supply pipe should be connected to the appliance gas inlet pipe situated at the right side of the control unit. Supply line connection to the inlet pipe is 3/8 NPT. Use only new black iron or steel pipes or copper tubing if acceptable – check local codes.

Note that in the USA copper tubing must be internally tinned for protection against sulfur compounds.

Unions in gas should be of ground joint type. Sealant used must be resistant to the action of all gas constituents including LP gas. Sealant should be applied lightly to male threads to ensure excess sealant does not enter gas lines.

Clearance Specifications



FP = fireplace opening
 X = air supply inlet
 = area where fireplace is not permitted

A = 2in.	clearance above grade veranda, porch, deck or balcony	I = 3ft. (USA) 6ft.(Canada)	clearance to service regulator vent outlet and electrical service.
B = 12in.	clearances to window or door that may be opened, or to permanently closed window.	J = 9in. (USA) 12in.(Canada)	clearance to non-mechanical air supply inlet to building or the combustion air inlet to any other appliance.
36in.	vinyl windows or siding.	K = 3ft .(USA) 6ft.(Canada)	clearance to a mechanical air supply inlet.
C = 72in.	clearance below an operable window.	L* = 54in.	clearance above paved sidewalk or a paved driveway located on public property.(see note 1)
D = 47in.	vertical clearance to unventilated or a ventilated soffit located above the fireplace.	M** = 47in.	clearance under veranda,porch,deck balcony or overhang
60in.	vinyl clad soffits.	Not Allowed	Vinyl
G = 4in.	Clearance to inside corner	P = 92in.	see note 2)
48in.	Vinyl window or siding	Q = 72in.	
H = 36in.(Canada)	Not to be installed above a gas meter/regulator assembly within 3ft. horizontally from the center line of the regulator.		

* A fireplace shall not open directly above a sidewalk or paved driveway which is located between two single family dwellings and service both dwellings.

**Only permitted if veranda, porch, deck or balcony is fully open on a minimum of 2 sides beneath the floor, or if the screened porch guidelines are followed.

Note 1: Local codes or regulations may require different clearances

Note 2: Fireplaces in an alcove space (spaces open on one side and with an overhang) are permitted with the dimensions specified for vinyl or non-vinyl siding and soffits. 1) There must be a 3 ft minimum between terminations or between the fireplace and termination. 2) All mechanical air intakes within 10 ft of the top of the fireplace opening must be a minimum of 3 ft below the top of the fireplace opening.

3)All gravity air intakes within 3 ft of the fireplace must be a minimum of 1 ft below the face top opening. This fireplace is approved for installation in screened porches with the following:

- Minimum porch area – 96 sq ft
- Minimum ceiling height – 92 in.
- Minimum of two walls must be screened or open
- Minimum top of screen height, side walls 6ft 8in.
- Minimum screen area – 64 sq ft

Notes: There may be some odor and small amount of soot associated with burning the fireplace in a screened porch. Ensuring good cross draft ventilations and routine maintenance of the routine maintenance of the fireplace will maximize comfort and cleanliness.

For your safety, read the following before lighting:

WARNING: If you do not follow these instructions exactly, a fire or explosion may result causing property damage and personal injury or death.

- A. This appliance has a pilot which must be lighted by hand. When lighting the pilot, follow these instructions exactly.
- B. **BEFORE LIGHTING** smell all around the appliance area for gas. Be sure to smell next to the floor because some gas is heavier than air and will settle on the floor.
WHAT TO DO IF YOU SMELL GAS - Do not try to light any appliance. - Do not touch any electric switch; do not use any phone in your building. - Immediately call your gas supplier from a neighbour's phone. Follow the gas supplier's instructions. - If you cannot reach your gas supplier, call the fire department.
- C. Use only your hand to push in or turn the gas or control knob. Never use tools. If the knob will not push in or turn by hand, don't try to repair it, call a qualified service technician. Force or attempted repair may result in a fire or explosion.
- D. Do not use this appliance if any part has been under water. Immediately call a qualified service technician to inspect the appliance and replace any part of the control system and any gas control which has been under water.

Lighting Instructions

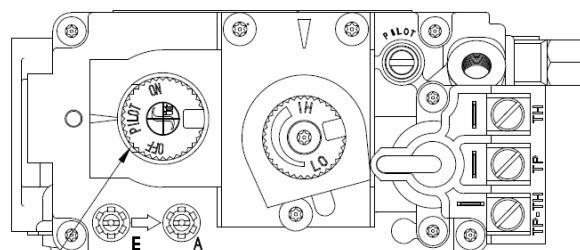
1. **STOP!** Read the safety information above on this label.
2. Set the thermostat to lowest setting.
3. Turn off all electrical power to the appliance.
4. Remove louvers.
5. Push in gas control knob slightly and turn clockwise to "OFF". Note: knob cannot be turned from "PILOT" to "OFF" unless knob is pushed in slightly. Do not force.
6. Wait five minutes to clear out any gas. Then smell for gas, including near the floor. If you smell gas, **STOP!** Follow "B" in the safety information on this label. If you don't smell gas go on to the next step.
7. Turn knob on gas control counterclockwise to "PILOT"
8. Push in control knob all the way and hold in. Immediately push in piezo ignition button. Continue to hold the control knob in for about one minute after the pilot is lit. Release knob and it will pop back up. Pilot should remain lit. If it goes out, repeat steps five through eight. - If knob does not pop up when released, stop and immediately call your service technician or gas supplier. - If the pilot will not stay lit after several tries, turn the gas control knob to "OFF" and call your service technician or gas supplier.
9. Turn gas control knob counterclockwise to "ON."
10. Replace louvers panel.
11. Turn on all electrical power to the appliance.
12. Set the thermostat to desired setting.

To Turn Off Gas to the Appliance

1. Set the thermostat to lowest setting.
2. Turn off all electrical power to the appliance if service is to be performed.
3. Remove louvers.
4. Push in gas control knob slightly and turn clockwise to "OFF". Do not force.
5. Replace louvers.

Gas Valve

SIT NOVA 820



Gas Control Knob
(Shown in "Pilot" position.)

NOTE: Gas control knob cannot be turned from "PILOT" to "OFF" unless knob is pushed in slightly. Do not force.

Thermostat Installation (not allowed in US installations)

Note: The wall switch MUST be rated for electronic
Minimize splicing in all wiring and solder all unavoidable splices.

Thermostat Wire Information

AWG	mm	ft.	m
22	0.6	10	3.0
20	0.8	25	7.6
18	1.0	40	12.2
16	1.3	64	19.5
14	1.6	100	30.5

wall switch installation

The burner control switch is located in the centre of the control department opening. For your convenience, the unit can also be operated by a thermostat or a wall switch control. Electronic are available from any authorized CFHMfg dealer. Please note, bedroom installations require the use of a wall thermostat. Mount the thermostat or switch in the desired location and run "two conductor thermostat wires" to the heater's lower right hand corner, close to the gas supply line.

For maintenance, proper re-assembly and resealing of the venting system is required.
The appliance should be inspected before use and at least annually by a professional service person.

More frequent cleaning may be required due to excessive lint from carpet bedding material etc. It is imperative that control compartment, covers of the appliance to be kept clean.

Pressure testing the supply line for leaks

The appliance and its individual shut-off valve must be disconnected from the gas supply piping system during any pressure testing of the system at test pressures in excess of ½ psig (3.4kPa). The appliance must be isolated from the gas supply piping system by closing its individual manual shut-off valve during any pressure testing of the gas supply piping system at test pressures equal to or less than ½ psig (3.5kPa). Failure to do so will damage the appliance's gas valve. Such damage is not covered by the manufacturer's warranty.

When testing for leaks:

Make sure that the appliance is turned off.

Open the manual shut-off valve.

Test for leaks by applying a liquid detergent or soap solution to all ball joints. Bubbles forming indicate a gas leak.

Correct any leak detected immediately.

Never use an open flame to check for leaks.

The pressure test point locations are built in to the regulator that controls the burner manifold pressure. The correct pressure range is shown in the table in the specification section of this manual. The pressure check should be made with the burner lit.

See lighting instruction section for full operating details.

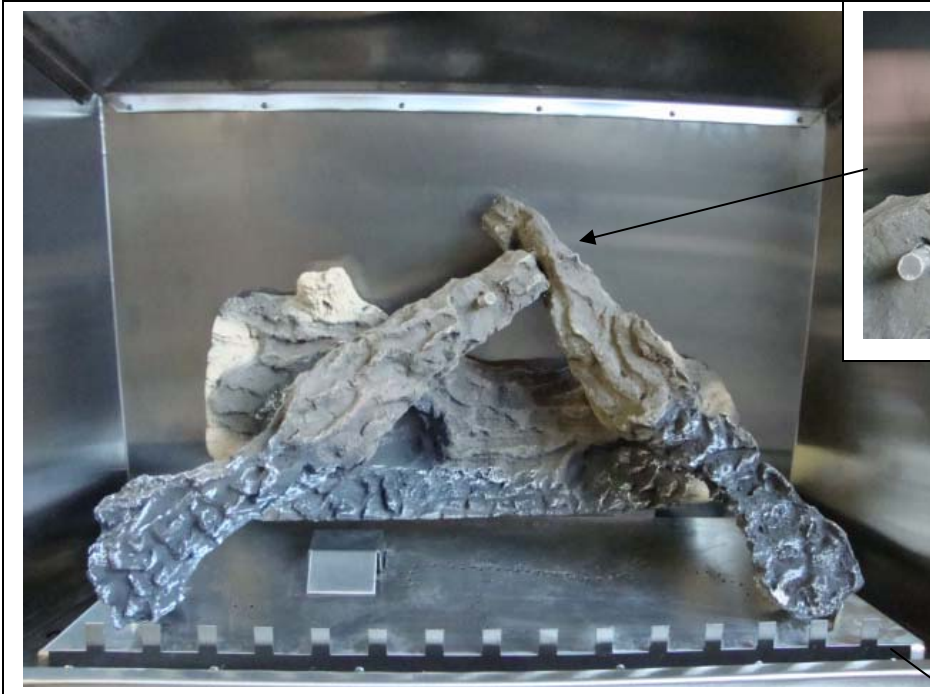
MB0-36 Outdoor Gas Log Set



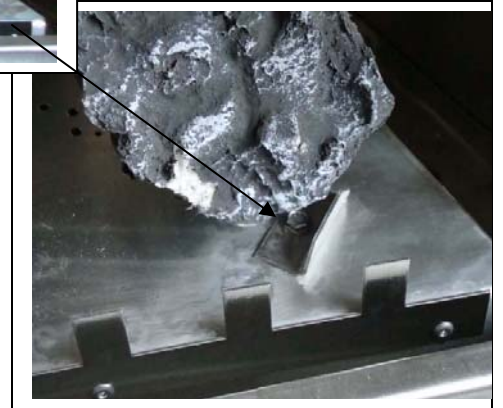
Log set up



Place the largest log on the log support shelf located on the rear panel above the air inlet. A small tab folded up from the shelf is provided to secure to log in position. Push the logs down onto the shelf so that the tab forces into the logs. Use sufficient force only to push the tab into the log material. The log's material is fragile and excessive force will seriously damage the log and would need to be replaced



Logs #2 and #3 join together at the tops so that the pin inserts into the corresponding hole as shown in the insert.. Support the lower end of the angled logs on the brace mounted on the burner face as shown



Place log #4 onto the logs set in the previous step. Use the Pin and hole provided to secure it as with the other logs





The Next and final steps are to place the small log pieces #4 and #5 as shown then the three rocks shown in the illustration below.

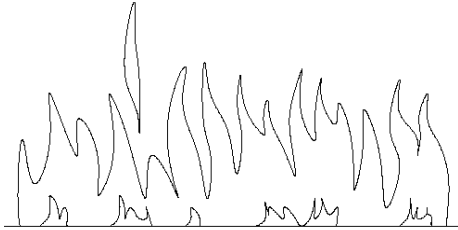
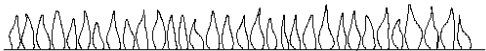
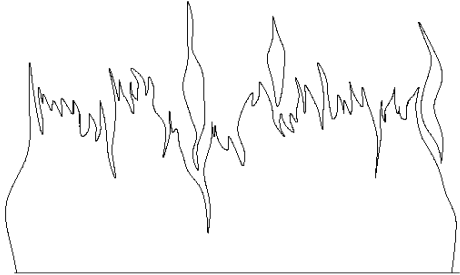
NOTE:

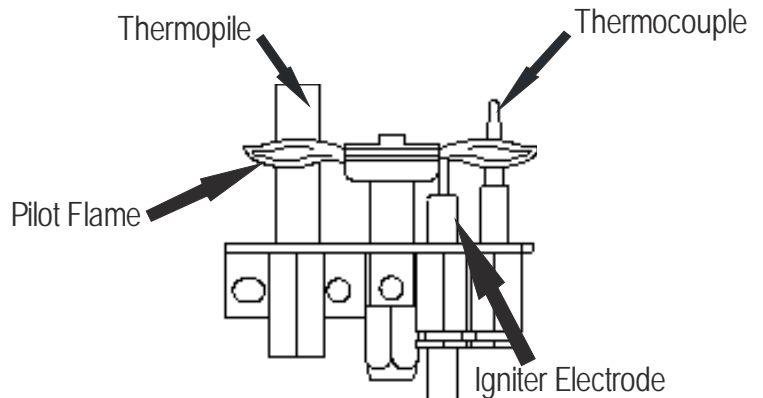
- It is important that while placing the logs and stones they must not directly cover any of the burner ports
- If the outdoor installation will be subjected to much greater than normal wind conditions the small logs and stones maybe secured to the burner with a high heat rated adhesive to prevent movement.



Flame Quality Adjustment

WARNING: Incorrect adjustment of flame can lead to improper combustion which can be a safety hazard.

<u>Flame Types</u>	<u>Adjustment</u>	
1. Blue at the base with active light orange. Medium height (ideal)	None	
2. All blue with little or no orange. Short height (too much air)	Close damper	
3. Lazy yellow with little or no blue. Long stringy flame (no air) May result in sooty deposits on glass	Open damper	



Pilot Check: The MBO-36 utilizes a standing pilot which remains on at all times. Pilot assembly is covered almost entirely by the wind shield and maybe difficult to see. The visible part of the flame tips should always be blue in colour. If the flame characteristics are in doubt a qualified technician or gas installer can remove the wind shield and make any adjustments if required.

Replacement Parts List

BURNER COMPONENTS

Pilot Assy. (NG)	DC006NG
MBO36 Valve Tray	MBO36 Gas Tray
Valve tray Gasket	GK01
CFH Electronic Pilot Assembly	DC006E
Main Burner Orifice (Natural Gas)	MBO36NG
Replacement Log Set	LSMBO36

NON-COMBUSTABLE COMPONENTS

Top Panel (placed on top edge of Cleanface Surround) 40"x4"	FB006
Back Panel (placed on the back of the appliance) 24"x16"	FB007
Cleanface/Firebox panel 37"x4"	FB008

Final Checks

Installer: Before leaving the appliance with the customer, you must check the operation of the appliance.

*Check correct rating by clocking the appliance at 15 minutes. (See label)

*Check flame description as seen on page 22. Adjust primary air if required.

*Take time to go through the unit with the customer.

Note: When first fired, the unit will produce an odour. This is normal and is part of the paint curing process. It is recommended that you open a few windows to ventilate the room. This will be noticeable for at least 4 hours. During the first hour, smoke detectors in the house may be set off.

*Following the initial burn-in period, the glass panel may require cleaning.

Caution: Do not clean the glass when the appliance is hot!

*When the appliance is fired from cold, the glass may fog up.

This is due to condensation and is normal.

*Make yourself familiar with these instructions before operating the appliance.

*Check any loose electrical wires that may cause a shock.

*Check all around the appliance for gas leaks. If you smell gas, follow the instructions on the front cover of this manual.

*Check the pilot light should be visible.

*Check to make sure that venting is secure.

*Check all external parts, such as grills, doors and control covers to make sure they are attached and fastened properly.

Caution: Do not turn the unit off and on again without a minimum of a 60 second wait.

*The appliance area must be kept clear & free from combustible materials, gasoline, and other flammable vapors or liquids.

Log set & burner require no maintenance.

Cold Weather Operation

When using any gas appliance (LP or NG Fuels) water is a byproduct of the combustion process. Under normal conditions, this is expelled into the atmosphere and does not cause any harm. In extremes of cold weather however, the vapors may condense and freeze on any exposed surface it comes into contact with. This can cause a problem by restricting or blocking the vent, particularly with direct vent wall terminations as the exhaust is only a few inches away from the outside wall surface. What happens to the moisture after it leaves the vent cannot be controlled by the manufacturer. To extend the vent further out from the wall can sometimes be an advantage. Extending the vent out from the wall can present other design problems such as ice falling from the eaves above. It is the home owner's responsibility to ensure that there is not an excessive build-up of ice on the termination.

Caution: When operating your appliance during cold weather, you must frequently check the exhaust cap for excessive ice build-up.

Operating Your Fire

The operating instructions are also on a chained plate inside the control access door. For your safety, this appliance is fitted with a flame supervision device which will shut off the gas supply if for any reason, the pilot flame goes out. This device incorporates a fixed probe, which senses the heat from the pilot flame. If the probe is cool, the device will prevent any gas flow unless the burner control knob is kept pushed in at the "PILOT" position. When first turned on, the decorative flames will appear predominantly blue. After approximately 15 minutes, the flames will turn yellow.

Conditions and Limitations of Warranty

CFHMfg warrants its products against manufacturing defects to the original purchaser only – i.e., the individual or legal entity (registered customer) whose name appears on the warranty registration card filed with CFHMfg – provided that the purchase was made through an authorized CFHMfg dealer and is subject to the following terms and limitations:

This factory warranty is nontransferable and may not be extended whatsoever by any of our representatives.

The gas fireplace or fireplace insert must be installed by a licensed, authorized service technician, or contractor. Installation must be done in accordance with the installation instructions included with the product and all local and national building and fire codes.

This limited warranty does not cover damage caused by misuse, lack of maintenance, accident, alterations, abuse, or neglect, and parts installed from other manufacturers will nullify this warranty.

This limited warranty further does not cover any scratches, dents, corrosion, or discolouring caused by excessive heat, abrasive and chemical cleaners, nor breakage of logs and embers, nor any venting components used in the installation of the fireplace.

CFHMfg warrants its steel burners against defects in workmanship and material for life, subject to the following conditions: During the first 10 years, CFHMfg will replace or repair the defective parts at our option free of charge. From 10 years to life, CFHMfg will provide replacement burners at 50% of the current retail price.

In the first year only, this warranty extends to the repair or replacement of warranted parts which are defective in material or workmanship provided that the product has been operated in accordance with the operation instructions and under normal conditions.

After the first year, with respect to the Luxor Limited Lifetime Warranty, CFHMfg may, at its discretion, fully discharge all obligations with respect to this warranty by refunding to the original warranted purchaser the wholesale price of any warranted but defective part(s).

After the first year, CFHMfg will not be responsible for installation, labour, or any other costs or expenses related to the reinstallation of a warranted part, and such expenses are not covered by this warranty.

Notwithstanding any provisions contained in this Luxor Limited Lifetime Warranty, CFHMfg's responsibility under this warranty is defined as above and it shall not in any event extended to any incidental, consequential, or indirect damages.

This warranty defines the obligation and liability of CFHMfg with respect to the Luxor gas appliance and any other warranties expressed or implied with respect to this product, its components, or accessories are excluded.

CFHMfg neither assumes, nor authorizes any third party to assume, on its behalf, any other liabilities with respect to the sale of this product. CFHMfg will not be responsible for: over-firing, downdrafts, spillage caused by environmental conditions such as rooftops, buildings, nearby trees, hills, mountains, inadequate vents, or ventilation, excessive venting configurations, insufficient makeup air, or negative air pressure which may or may not be caused by mechanical systems such as exhaust fans, furnaces, clothes dryers, etc.

Any damages to fireplace, combustion chamber, or other components due to water, weather, long periods of dampness, condensation, chemicals, or cleaners, will not be the responsibility of CFHMfg.

The bill of sale or copy will be required together with a serial number and a model number when making any warranty claims from your authorized dealer. The warranty registration card MUST be returned within fourteen days of purchase to register the warranty.

CFHMfg reserves the right to have its representative inspect any product or part thereof prior to honouring any warranty claim.