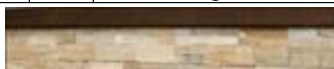


PORTRAIT SERIES - 530

530IN	NG	Portrait ZC Engine (Requires Fuel Bed)	\$ 2,161.00
530IP	LP	Portrait ZC Engine (Requires Fuel Bed)	\$ 2,161.00
530INI	NG	Portrait Insert (Requires Fuel Bed)	\$ 2,161.00
530IPI	LP	Portrait Insert (Requires Fuel Bed)	\$ 2,161.00
530CSK		Coals & Liners (Rev Liner Red Brick / Fluted)	\$ 195.00
530LSK		Logs & Liners (Rev Liner Red Brick / Fluted)	\$ 189.00
530RSK		Rocks & Liners (Rev Liner Red Brick / Fluted)	\$ 312.00
530DWK		Driftwood Set (Blk Fluted Liner)	\$ 329.00
580RGL		Reflective Black Liner	\$ 312.00
531-1CSB		President Casting - Black (1 of 2)	\$ 682.00
531-2CSB		President Top Castings - Black (2 of 2)	\$ 189.00
536CXB		President ZC Cast Front - Black	\$ 743.00
536CXB1		President Insert Cast Front - Black	\$ 613.00
541BPC		Bolero Polished Cast Iron Front	\$ 1,084.00
563SCB		Senator Cast Front - Black	\$ 921.00
539AFBv2		Windsor Arch w/ Cast Iron Plate - Black (ZC)	\$ 1,261.00
539AFPv2		Windsor Arch w/ Cast Iron Plate - Chrome Highlights (ZC)	\$ 1,461.00
549AFBv2		Windsor Arch Front - Black (Insert)	\$ 1,025.00
549AFPv2		Windsor Arch Front - Chrome Highlights (Insert)	\$ 1,273.00
550CPAv2		Classic Polished Arch - Brushed Nickel	\$ 1,461.00
545CFVZC		Clearview ZC Front w/ Standard Fret	\$ 849.00
545CFV		Clearview Insert Front w/ Standard Fret	\$ 735.00
545TFB		Traditional Fret BLK	\$ 147.00
569LFB		Ledge Fascia Kit - Black (530IL or 530IR Series only) (ZC)	\$ 824.00
569LFN		Ledge Fascia Kit - Nickel (530IL or 530IR Series only) (ZC)	\$ 1,119.00
569LFP		Ledge Fascia Kit - Patina (530IL or 530IR Series only) (ZC)	\$ 1,389.00
570FPB		Finishing Plate Black	\$ 200.00
546LFB		Ledgeview (Insert) Black	\$ 735.00
546LFBZC		Ledgeview (ZC) Black	\$ 849.00
546LFN		Ledgeview (Insert) Brushed Nickel	\$ 1,081.00
546LFNZC		Ledgeview (ZC) Brushed Nickel	\$ 1,247.00
546LFZ		Ledgeview (Insert) Bronze	\$ 735.00
546LFZZC		Ledgeview (ZC) Bronze	\$ 849.00
555CFK		Circulating Fan Kit	\$ 376.00
567FGP		Firebox Grille Panel - roof panel (530I Series only)	\$ 77.00
3336CP		Closure Plate - Black 33H x 36W (Insert)	\$ 250.00
582CPB		Closure Plate - Black 31H x 26W (Insert)	\$ 204.00
583CPB		Closure Plate - Black 33H x 30W (Insert)	\$ 216.00



PART #	Gas	Description	LIST \$
HORIZON SERIES - 534			
534JN	NG	Horizon Engine (Requires Fuel Bed)	\$ 2,426.00
534JP	LP	Horizon Engine (Requires Fuel Bed)	\$ 2,426.00
534LSK		Log Set Kit	\$ 308.00
534RSK		Rock Set Kit	\$ 308.00
534DWK		Driftwood Kit	\$ 455.00
618RGL		Reflective Glass Liner	\$ 411.00
620FBL		Black Fluted Liner	\$ 230.00
621VRL		Valor Red Liner	\$ 176.00
622LSL		Ledgestone Liner	\$ 207.00
601SFB		Horizon Contemporary Steel Front - Black	\$ 354.00
602CFB		Horizon Cast Iron Front - Black	\$ 668.00
603FSK		Contoured Trim - 3-Sided - Black	\$ 270.00
605FSK		Contoured Trim - 4-Sided - Black	\$ 352.00
610FVI		FenderFire DoubleDoor Front - Black w/ Vintage Iron Doors	\$ 867.00
611FVI		FenderFire SingleDoor Front - Black w/ Vintage Iron Door	\$ 867.00
614CVI		Arched Cast Surround - Vintage Iron (use w/ FF Fronts)	\$ 706.00
615CVI		Cast Surround - Vintage Iron (use w/ FF Fronts)	\$ 706.00
613CCB		Contemporary Cast Front (no doors)	\$ 730.00
645CFV		Clearview Front - Vintage Iron	\$ 621.00
RA24CV		Contemporary Fret - Vintage Iron	\$ 160.00
RA24TB		Traditional Fret - Black	\$ 117.00
1225VFB		Ventana Fret - Black	\$ 113.00
646CCB		Clearview Fret	\$ 113.00
645CAP		Clearview Access Panel	\$ 87.00
614CVI		Arched Cast Surround - Vintage Iron (use w/ FF Fronts)	\$ 706.00
615CVI		Cast Surround - Vintage Iron (use w/ FF Fronts)	\$ 706.00
623STV		Square Trim Kit - Vintage Iron	\$ 336.00
623STZ		Square Trime - Bronze	\$ 336.00
672MBF		Matte Black Front	\$ 358.00
673EDN		Edgemont "Lift Off" Door Kit - Brushed Nickel	\$ 940.00
673EDV		Edge,omt "Lift Off" Door Kit - Vintage Iron	\$ 678.00
673EDZ		Edgemont "Lift Off" Door Kit - Bronze	\$ 378.00
761DRK		Decorative Rock Kit (addition to 534IR, 650IR, 739IR, or 754RSK)	\$ 46.00
755CFK		Circulating Fan Kit	\$ 383.00
H4 SERIES - 650			
650JN	NG	H4 Engine (Requires Fuel Bed)	\$ 2,603.00
650JP	LP	H4 Engine (Requires Fuel Bed)	\$ 2,603.00
534LSK		Log Set Kit	\$ 308.00
534RSK		Rock Set Kit	\$ 308.00
534DWK		Driftwood Kit	\$ 455.00
618RGL		Enamel Black Liner	\$ 411.00
620FBL		Black Fluted Liner	\$ 230.00
621VRL		Valor Red Liner	\$ 176.00
622LSL		Ledgestone Liner	\$ 207.00
660LSB		Outer Landscape Surround - Black	\$ 325.00
660LSV		Outer Landscape Surround - Vintage Iron	\$ 325.00
662SSV		Outer Square Surround - Vintage Iron	\$ 218.00
661BSB		Inner Bezel Surround - Black	\$ 471.00
661BSC		Inner Bezel Surround - Copper	\$ 848.00
661BSN		Inner Bezel Surround - Nickel	\$ 471.00
661BSP		Inner Bezel Surround - Polished	\$ 848.00
761DRK		Decorative Rock Kit (addition to 534IR, 650IR, 739IR, or 754RSK)	\$ 46.00
755CFK		Circulating Fan Kit	\$ 383.00



**H5 SERIES - 1100 / 1150**

1100IN	NG	1100 Engine - Contemporary Burner (Requires Fuel Bed)		\$ 3,235.00
1100IP	LP	1100 Engine - Contemporary Burner (Requires Fuel Bed)		\$ 3,235.00
1101DWK		Pebble Beach Driftwood Kit		\$ 295.00
1103DGM		Murano Glass Set		\$ 271.00
1104DGS		Decorative Glass Set		\$ 200.00
1150ILN	NG	1150 Engine - Traditional Burner w/ Logs		\$ 3,495.00
1150ILP	LP	1150 Engine - Traditional Burner w/ Logs		\$ 3,495.00
1110VRL		Valor Red Brick Liner		\$ 200.00
1115LSL		Ledgestone Liner		\$ 270.00
1125FBL		Fluted Black Liner		\$ 317.00
1160PBL		Plain Black Liner		\$ 211.00
1170RGL		Reflective Glass Liner		\$ 671.00
1175HBL		Herringbone Liner		\$ 307.00
1105RGL		Reflective Glass Panel (for use with 1125FBL)		\$ 129.00
1130FFK		1" Fixed Framing Kit - Black		\$ 435.00
1135TSB		Three Sided Surround - Black	\$ 572.00	
1135TSBEN		Edgemont "Lift Off" Single Door - Nickel w/Black Backing Plate	\$ 1,295.00	
1135TSBEZ		Edgemont "Lift Off" Single Door - Bronze w/Black Backing Plate	\$ 824.00	
1140FSB		Four Sided Surround - Black	\$ 902.00	
1140FSN2		Four Sided Surround - Nickel	\$ 1,533.00	
1140FSPN		Four Sided Surround - Painted Nickel	\$ 937.00	
1140FSZ		Four Sided Surround - Bronze	\$ 902.00	
1149EDV		Edgemont Double Door - Vintage Iron w/ Black Backing Plate	\$ 1,120.00	
1149EDZ		Edgemont Double Door - Bronze Iron w/ Black Backing Plate	\$ 1,120.00	
1184EHC		Edgemont Hammered Front - Copper	\$ 1,281.00	
1184EHV		Edgemont Hammered Front - Vintage Iron	\$ 889.00	
1184EHOZ		Edgemont Hammered Front - Oil Bronze	\$ 889.00	
1156CLA		Co-Linear Adaptor Kit	\$ 182.00	
1195CFK		Circulating Fan Kit	\$ 397.00	

H6 SERIES - 1400

1400IN	NG	1400 Engine NG (Requires Fuel Bed)		\$ 4,147.00
1400IP	LP	1400 Engine NG (Requires Fuel Bed)		\$ 4,147.00
1400DWK		Pebble Beach Driftwood		\$ 389.00
1400DGM		Murano Glass Set		\$ 330.00
1400DGS		Decorative Glass Set		\$ 216.00
1400LSK		Log Set Kit		\$ 426.00
1405RGP		Reflective Glass Panel (FBL/PBL)		\$ 185.00
1410VRL		Valor Red Brick Liner		\$ 386.00
1415LSL		Ledgestone Liner		\$ 426.00
1425FBL		Fluted Black Liner		\$ 474.00
1460PBL		Plain Black Liner		\$ 273.00
1470RGL		Reflective Glass Liner		\$ 794.00
1475HBL		Herringbone Liner		\$ 439.00
1430FFK		1 " Fixed Framing Kit - Black		\$ 657.00
1435TSB		3 1/4" Three Sided Surround - Black		\$ 779.00
1440FSB		4" Four Sided Surround - Black		\$ 916.00
1440FSZ		4" Four Sided Surround - Bronze		\$ 916.00

PART #		Gas Description		LIST \$
LEGEND G3 SERIES - 738/739				
738JLN	NG	B-Vent Insert Engine (Requires Fuel Bed)		\$ 1,933.00
738JLP	LP	B-Vent Insert Engine (Requires Fuel Bed)		\$ 1,933.00
739MN	NG	Direct Vent Insert Engine (Requires Fuel Bed)		\$ 2,261.00
739MP	LP	Direct Vent Insert Engine (Requires Fuel Bed)		\$ 2,261.00
739DWK		Driftwood Kit		\$ 455.00
739LSK		Traditional Log Set		\$ 303.00
739RSK		Rock Set Kit		\$ 308.00
739FBL		Fluted Black Liner		\$ 105.00
739RGL		Reflective Glass Liner		\$ 330.00
739VRL		Red Brick Liner		\$ 105.00
741SFB		Contemporary Front - Black	\$ 306.00	
741SVI		Contemporary Front - Vintage Iron	\$ 306.00	
742CFB		Cast Iron Front - Black	\$ 626.00	
743FVI		FenderFire DoubleDoor Front (includes fret)	\$ 854.00	
744FVI		FenderFire SingleDoor Front (includes fret)	\$ 737.00	
715CVI		Cast Iron Surround - Vintage Iron	\$ 682.00	
745CFV		Clearview Front Kit - Vintage Iron (NEW 738BX & 739I Series only)	\$ 525.00	
758CCB		Clearview Cast Fret (NEW 738BX & 739I Series only)	\$ 117.00	
772MBF2		Matte Black Front (739 Series only)	\$ 306.00	
765CSB		Contemporary Surround Front - Black (739I Series only)	\$ 577.00	
765CSC		Contemporary Surround Front - Copper (739I Series only)	\$ 824.00	
765CSN		Contemporary Surround Front - Nickel (739I Series only)	\$ 824.00	
765CSPN		Contemporary Surround Front - Painted Nickel (739I Series only)	\$ 577.00	
746CTK		3-Sided Contour Trim Kit - Black	\$ 153.00	
746VIK		3-Sided Contour Trim Kit - Vintage Iron	\$ 159.00	
747DTK		3-Sided Deluxe Trim Kit - Black	\$ 230.00	
747VIK		3-Sided Deluxe Trim Kit - Vintage Iron	\$ 242.00	
748CTK		4-Sided Contour Trim Kit - Black	\$ 266.00	
749DTK		4-Sided Deluxe Trim Kit - Black	\$ 312.00	
749VIK		4-Sided Deluxe Trim Kit - Vintage Iron	\$ 312.00	
756STB		3-Sided Square Trim Kit - Black	\$ 218.00	
756STP		3-Sided Square Trim Kit - Plated Brushed Nickel	\$ 352.00	
756STV		3-Sided Square Trim Kit - Vintage Iron	\$ 230.00	
757STB		4-Sided Square Trim Kit - Black	\$ 341.00	
757STP		4-Sided Square Trim Kit - Plated Brushed Nickel	\$ 471.00	
757STV		4-Sided Square Trim Kit - Vintage Iron	\$ 341.00	
767STB		3-Sided Square Trim Kit 2" - Black - 25-5/8"H x 34-3/8"W	\$ 211.00	
764PFB		Picture Frame Black - 4-Sided Square Trim Kit	\$ 325.00	
750OCP		Oversize Closure Plate - Black	\$ 112.00	
750OVI		Oversize Closure Plate - Vintage Iron	\$ 108.00	
753OTK		3-Sided Oversize Trim Kit - Black	\$ 325.00	
753OTV		3-Sided Oversize Trim Kit - Vintage Iron	\$ 325.00	
751LTK		Lift Trim Kit - Black (needs 752BTK)	\$ 59.00	
751LVK		Lift Trim Kit - Vintage Iron (needs 752BVK)	\$ 63.00	
752BTK		Base Trim Kit - Black (use w/ 751LTK / 750OCP)	\$ 112.00	
752BVK		Base Trim Kit - Vintage Iron (use w/ 751LVK / 750OVI)	\$ 112.00	
762TRB		Temperature Reduction Baffle	\$ 59.00	
763BPB		Backing Plate - Black	\$ 259.00	
770ZCK		Zero Clearance Kit (for "rough-in" application)	\$ 396.00	
720SWK		Co-Linear Side Wall Kit (739 only)	\$ 235.00	
LEGEND G3.5 SERIES - 700				
700IN	NG	G3.5 Engine - NG SS Burner (Requires Fuel Bed)		\$ 2,757.00
700IP	LP	G3.5 Engine - LP SS Burner (Requires Fuel Bed)		\$ 2,757.00
700JN	NG	G3.5 Engine - NG (SS/AutoFire/Requires Fuelbed)		\$ 2,833.00
700JP	LP	G3.5 Engine - LP (AutoFire / Requires Fuelbed)		\$ 2,833.00
701RSK		Rock Set Kit		\$ 377.00

PART #	Gas	Description	LIST \$
702LSK		Log Set Kit	\$ 341.00
700XN	NG	G3.5 Engine - NG - Ceramic Burner	\$ 3,098.00
700XP	LP	G3.5 Engine - LP - Ceramic Burner	\$ 3,098.00
700XDGS		Decorative Glass Set	\$ 183.00
700XDWK		Pebble Beach Driftwood	\$ 295.00
700XDGM		Murano Glass Set	\$ 319.00
705LSL		Ledgestone Liner	\$ 270.00
706RGL		Reflective Glass Liner	\$ 549.00
707FBL		Fluted Black Liner	\$ 290.00
708VRL		Valor Red Brick Liner	\$ 34.00
709FTB		Floating Trim Kit - 23-5/8"H x 33-3/4"W - Black	\$ 530.00
709FTP		Floating Trim Kit - 23-5/8"H x 33-3/4"W - Brushed Nickel	\$ 824.00
709FTV		Floating Trim Kit - 23-5/8"H x 33-3/4"W - Vintage Iron	\$ 530.00
709FTZ		Floating Trim Kit - 23-5/8"H x 33-3/4"W - Bronze	\$ 530.00
713FFB		Floating 4-Sided Trim Kit - 27-15/16"H x 33-3/4"W - Black	\$ 731.00
713FFV		Floating 4-Sided Trim Kit - 27-15/16"H x 33-3/4"W - Vintage Iron	\$ 731.00
716EHC		Edgemont Hammered Kit - Copper	\$ 923.00
716EHV		Edgemont Hammered Kit - Vintage Iron	\$ 581.00
716EHOZ		Edgemont Hammered Kit - Oiled Bronze	\$ 581.00
717BPB		3 Sided Trim 36 1/4W x 26 1/2 H	\$ 188.00
719BPB		4 Sided Trim 36 5/16W x 28 11/16H	\$ 250.00
721EDN		Edgemont Front Brushed Nickel (Requires 717 or 719BPB)	\$ 836.00
721EDV		Edgemont Front Vintage Iron (Requires 717 or 719BPB)	\$ 547.00
721EDZ		Edgemont Front Bronze (Requires 717 or 719BPB)	\$ 547.00
710BPB		Backing Plate Kit - 26-7/8"H x 37-3/4"W - Black	\$ 176.00
714BPB		Backing Plate Kit - 29"H x 42"W - Black	\$ 188.00
795CFK/V2		Circulating Fan Kit	\$ 376.00
LEGEND G4 SERIES - 780			
780KN	NG	G4 - Stainless Burner - NG (Requires Fuel Bed)	\$ 3,113.00
780KP	LP	G4 - Stainless Burner - LP (Requires Fuel Bed)	\$ 3,113.00
781RSK		Rock Set Kit	\$ 466.00
782LSK		Log Set Kit	\$ 411.00
785YN	NG	G4 - Ceramic Burner NG (Requires Fuel Bed)	\$ 3,465.00
785YP	LP	G4 - Ceramic Burner LP (Requires Fuel Bed)	\$ 3,465.00
785XDGM		Decorative Murano Glass	\$ 331.00
785XDGS		Decorative Glass Set	\$ 189.00
1101DWK		Pebble Beach Driftwood	\$ 295.00
785KLN	NG	G4 - Ceramic Burner w/Logset - NG	\$ 3,648.00
785KLP	LP	G4 - Ceramic Burner w/Logset - LP	\$ 3,648.00
786LSL V2		Ledgestone Liner	\$ 294.00
787RGL		Reflective Glass Liner	\$ 565.00
788FBL V2		Fluted Black Liner	\$ 352.00
789VRL V2		Victorian Red Brick Liner	\$ 235.00
784EHFC		Edgemont Hammered Front - Copper	\$ 1,001.00
784EHFV		Edgemont Hammered Front - Vintage Iron	\$ 660.00
784EHOZ		Edgemont Hammered Front - Oil Bronze	\$ 660.00
790FTV		Floating Trim Kit - 2-1/2" - Vintage Iron	\$ 471.00
791STB		Square Trim Kit - 5-3/4" - Black	\$ 482.00
791STV		Square Trim Kit - 5-3/4" - Vintage Iron	\$ 482.00
792FTV		Floating Trim Kit - 5" - Vintage Iron	\$ 525.00
792FTZ		Floating Trim Kit - 5" - Bronze	\$ 525.00
798FFV		Floating 4-Sided Trim Kit - Vintage Iron - 32-1/2"H x 40-5/8"W	\$ 742.00
798FFZ		Floating 4-Sided Trim Kit - Bronze - 32-1/2"H x 40-5/8"W	\$ 742.00
799EDFN		Edgemont Door Kit - Brushed Nickel Plated (799BPB1 or 2 Required)	\$ 975.00
799EDFZ		Edgemont Door Kit - Bronze (799BPB1 or 2 Required)	\$ 638.00
799PBP-1		Backing Plate Blk 39 1/2 x 27	\$ 159.00
799PBP-2		Backing Plate Blk 46" x 31	\$ 204.00



PART #	Gas	Description	LIST \$
793RTB		Riser Kit - 2-1/2" - Black	\$ 117.00
793RTV		Riser Kit - 2-1/2" - Vintage Iron	\$ 117.00
794BPB		Backing Plate - 31" x 46" - Black	\$ 230.00
796ALP		Adjustable Leveling Platform	\$ 117.00
795CFK/V2		Circulating Fan Kit	\$ 376.00

L1 - LINEAR SERIES - 1500 (40")

1500JN	NG	L1 Engine - NG (Requires Fuel Bed)	\$ 4,202.00
1500JP	LP	L1 Engine - LP (Requires Fuel Bed)	\$ 4,202.00
1505DWK		Long Beach Driftwood Kit	\$ 306.00
1500DGS		Decorative Glass Kit	\$ 223.00
1500DGM		Murano Glass Kit	\$ 329.00
1514RSS		Rock & Shale Kit	\$ 330.00
1500swk		Splitwood Kit	\$ 329.00
1515FBL		Fluted Black Liner	\$ 383.00
1525RGL		Reflective Glass Liner	\$ 541.00
1535LML		Limestone Liner	\$ 383.00
1550LSBv2		Surround Trim Kit - 3-1/2" - Black	\$ 679.00
1550LSPv2		Surround Trim Kit - 3-1/2" - Brushed Nickel	\$ 168.00
1550LSZv2		Surround Trim Kit - 3-1/2" - Oiled Bronze	\$ 679.00
1575LFB		Adjustable Finishing Trim Kit - 1" - Black	\$ 387.00
1565LLK		Lighting Kit	\$ 112.00
1595CFK		Circulating Fan Kit	\$ 261.00
1270RBK		Remote Blower Kit	\$ 387.00



L1 - LINEAR 2 SIDED SERIES - 1600 (40")

1600JN	NG	1600 Engine - NG (Requires Fuel Bed)	\$ 5,009.00
1600JP	LP	1600 Engine - LP (Requires Fuel Bed)	\$ 5,009.00
1500DGS		Decorative Glass Kit	\$ 223.00
1500DGM		Murano Glass Kit	\$ 329.00
1500SWK		Splitwood Kit	\$ 329.00
1505DWK		Long Beach Driftwood Kit	\$ 306.00
1514RSS		Rock & Shale Kit	\$ 330.00
1615FBL		Fluted Black Liner	\$ 176.00
1625EBL		Enamel Black Liner	\$ 306.00
1550LSBv2		Surround Trim Kit - 3-1/2" - Black (Requires 2 Trims)	\$ 679.00
1550LSP		Surround Trim Kit - 3-1/2" - Brushed Nickel (Requires 2 Trims)	\$ 1,168.00
1550LSZ		Surround Trim Kit - 3-1/2" - Oiled Bronze (Requires 2 Trims)	\$ 679.00
1555LFB		Adjustable Finishing Trim Kit - 1" - Black (Requires 2 Trims)	\$ 387.00
1270RBK		Remote Blower Kit	\$ 387.00



L2 LINEAR SERIES - 1700 (50")

1700JN	NG	1700 Engine - NG (Requires Fuel Bed)	\$ 4,961.00
1700JP	LP	1700 Engine - LP (Requires Fuel Bed)	\$ 4,961.00
1705DWK		Long Beach Driftwood Kit	\$ 352.00
1700DGM		Murano Decorative Glass Kit	\$ 471.00
1714RSS		Rock & Shale Kit	\$ 341.00
1700SWK		Splitwood Kit	\$ 384.00
1715FBL		Fluted Black Liner	\$ 435.00
1725RGL		Reflective Glass Liner	\$ 660.00
1730PL1		Photo Liner	\$ 695.00
1735LML		Limestone Liner	\$ 439.00
1750LSBv2		Surround Trim Kit - 5-1/4" - Black	\$ 824.00
1750LSPv2		Surround Trim Kit - 5-1/4" - Brushed Nickel	\$ 1,649.00
1750LSZv2		Surround Trim Kit - 5-1/4" - Bronze	\$ 824.00
1775LFB		Adjustable Finishing Trim Kit - 1" - Black	\$ 534.00
1565LLK		Lighting Kit	\$ 112.00
1595CFK		Circulating Fan Kit	\$ 261.00



PART #	Gas Description	LIST \$
1270RBK	Remote Blower Kit	\$ 387.00

L3 LINEAR SERIES - 1800 (63")

1800JN	1800 Engine - NG (Requires Fuel Bed)	\$ 5,465.00
1800JP	1800 Engine - LP (Requires fuel Bed)	\$ 5,465.00
1800DGM	Murano Decrative Glass	\$ 837.00
1800DWK	Long Beach Driftwood	\$ 1,019.00
1815FBL	Fluted Black Liner	\$ 678.00
1825RGL	Reflective Glass Liner	\$ 1,037.00
1850LSB	Surround Trim Kit 5 1/4" Black	\$ 956.00
1875LFB	Adjustable Finishing Trim	\$ 718.00
1595CFK	Circulating Fan Kit	\$ 261.00
1270RBK	Remote Blower Kit	\$ 387.00



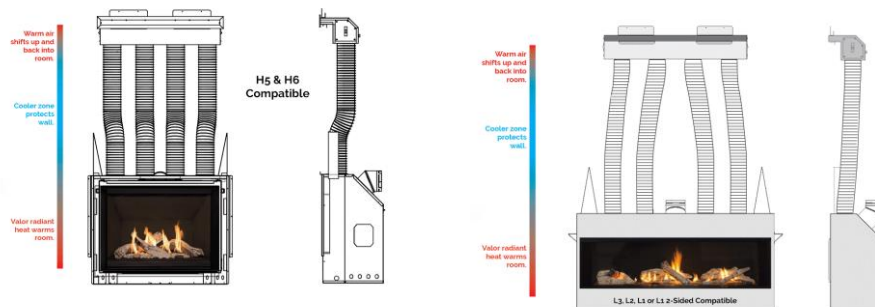
LX2 3 Sided Linear - 2200

2200JN	NG 3 Sided Linear Engine NG	\$ 7,697.00
2200JP	LP 3 Sided Linear Engine LP	\$ 7,697.00
1705DWK	Driftwood Kit	\$ 352.00
1700SWK	Splitwood Kit	\$ 384.00
1714RSS	Rock & Shale Set	\$ 340.00
2200DGM	Murano Glass Set	\$ 567.00
2200DGS	Decorative Glass	\$ 154.00
2200RGL	Reflective Glass Liner Set	\$ 439.00
2200LML	Limestone Liner Set	\$ 83.00
2200FBL	Fluted Black Liner	\$ 83.00



HEAT SHIFT SYSTEM - for H5,H6,L1,L2,L3, LX2

LDK1	48" Plenum Kit	\$ 416.00
LDK2	48" Finishing Frame (for use w LDK1)	\$ 80.00
LDK3	Two 14" Plenums, Includes Grills	\$ 541.00
LDK4	38" Plenum Kit	\$ 393.00
LDK5	38" Finishing Frame (for use w LDK4)	\$ 75.00
LDK6	5" Aluminum 2-Ply Flex Kit (2x10' length)	\$ 170.00



MADRONA FREESTANDING GAS STOVE

MF28JN	NG	Freestanding Direct Vent Stove Engine	\$ 2,221.00
MF28JP	LP	Freestanding Direct Vent Stove Engine	\$ 2,221.00
MF28LSK		Traditional Log Set	\$ 230.00
MF28DWK		Long Beach Driftwood Kit	\$ 399.00
MFCS01-1		Madrona Casting (box 1 of 2) - Black	\$ 561.00
MFCS01-2		Madrona Arched Front (box 2 of 2) - Black	\$ 401.00
MFCS01-3	or	Madrona Square Front (box 2 of 2) - Black	\$ 437.00
MFCS02-1		Madrona Casting (box 1 of 2) - Majolica Brown Enamel	\$ 784.00
MFCS02-2		Madrona Arched (box 2 of 2) - Majolica Brown Enamel	\$ 607.00
MFCS02-3	or	Madrona Square (box 2 of 2) - Majolica Brown Enamel	\$ 543.00
555CFK		Circulating Fan Kit	\$ 376.00



PART #	Gas	Description	LIST \$
RF24IDN	NG	Retrofire - Direct Vent Engine	\$ 2,473.00
RF24IDP	LP	Retrofire - Direct Vent Engine	\$ 2,473.00
RF24XBN	NG	Retrofire - B-Vent Engine	\$ 2,473.00
RF24XBP	LP	Retrofire - B-Vent Engine	\$ 2,473.00
RA24AV		Avant-Garde Fender - Vintage Iron	\$ 153.00
RA24CV		Contemporary Fender - Vintage Iron	\$ 160.00
RA24TB		Traditional Fender - Black	\$ 117.00
1225VFB		Ventana Fret - Black	\$ 113.00
RA24DS		Draw Barrier Screen	\$ 235.00
RA24FK		Frets Bracket	\$ -
555CFK		Circulating Fan Kit	\$ 376.00
RA24ZC		Zero Clearance Kit	\$ 542.00
COMMON ACCESSORIES			
658DVK2		Direct Vent Termination	\$ 282.00
658NSFK		New Siding Flashing Kit	\$ 94.00
658TG		Terminal Guard (required item in certain app. see install manual)	\$ 129.00
817VAK		Vent Adapter Kit	\$ 32.00
845TG		Terminal Guard (required item in certain app. see install manual)	\$ 79.00
556CLA		Co-linear Adapter	\$ 117.00
559CLT		Co-linear Terminal	\$ 227.00
559SFK		Square Flashing Kit for 559CLT	\$ 31.00
GV60BRK		1-Hour Shut Down Handset (available for RF24I Series only)	\$ 94.00
GV60NTK		Non-Thermostat Handset	\$ 87.00
GV60CKO		Outdoor Fireplace Conversion Kit (Requires RBWSK)	\$ 154.00
RBWSK		Remote Battery & Wall Switch Kit	\$ 147.00
Barrier Screens			
BSK1200		Barrier Screen Kit for 1200 Engine	\$ 197.00
BSK1300		Barrier Screen Kit for a 1300 Engine	\$ 138.00
BSK1335		Barrier Screen Kit for a 1300 Engine	\$ 138.00
BSK1550		Barrier Screen Kit for 1550 Surround Trim	\$ 153.00
BSK1555		Barrier Screen Kit for 1555 Finishing Trim Kit	\$ 175.00
BSK531		Barrier Screen Kit for 531 President FS	\$ 94.00
BSK536		Barrier Screen Kit for 536 President	\$ 94.00
BSK539		Barrier Screen Kit for 539/549/550 Windsor Arch/Classic Arch	\$ 94.00
BSK541		Barrier Screen Kit for 541 Bolero	\$ 94.00
BSK563		Barrier Screen Kit for 563 Senator	\$ 84.00
BSK569		Barrier Screen Kit for 569 Ledge	\$ 142.00
BSK578		Barrier Screen Kit for 578 Lift	\$ 109.00
BSK601		Barrier Screen Kit for 601 Contemporary Steel Front	\$ 175.00
BSK602		Barrier Screen Kit for 602 Cast Iron Front	\$ 109.00
BSK613		Barrier Screen Kit for 613 Contemporary Cast Front	\$ 105.00
BSK645		Barrier Screen Kit for 645 Clearview Front	\$ 175.00
BSK661		Barrier Screen Kit for 661 Inner Bezel Surround	\$ 142.00
BSK709		Barrier Screen Kit for 709 Floating Trim Kit	\$ 153.00
BSK741		Barrier Screen Kit for 741 Contemporary Front	\$ 153.00
BSK742		Barrier Screen Kit for 742 Cast Front	\$ 105.00
BSK745		Barrier Screen Kit for 745 Clearview Front	\$ 219.00
BSK765		Barrier Screen Kit for 765 Contemporary Surround	\$ 132.00
BSK790		Barrier Screen Kit for 790 Floating/Square Trim Kit	\$ 164.00
BSKFF		Barrier Screen Kit for Fenderfires	\$ 39.00
BSKMF01		Barrier Screen Kit for MFCOS01/MSCOS02	\$ 98.00
BSKMF04		Barrier Screen Kit for MFCOS04	TBA
BSKRF24		Barrier Screen Kit for a RF24 Engine	\$ 197.00
BSKRF24I		Barrier Screen Kit for RF24I Engine	\$ 219.00
BSKSF		Barrier Screen Kit for Stonefire	\$ 39.00
Oct-17		All Taxes Extra, FOB Saskatoon, Prices Subject to Change without notice.	

