

# Replacement Parts

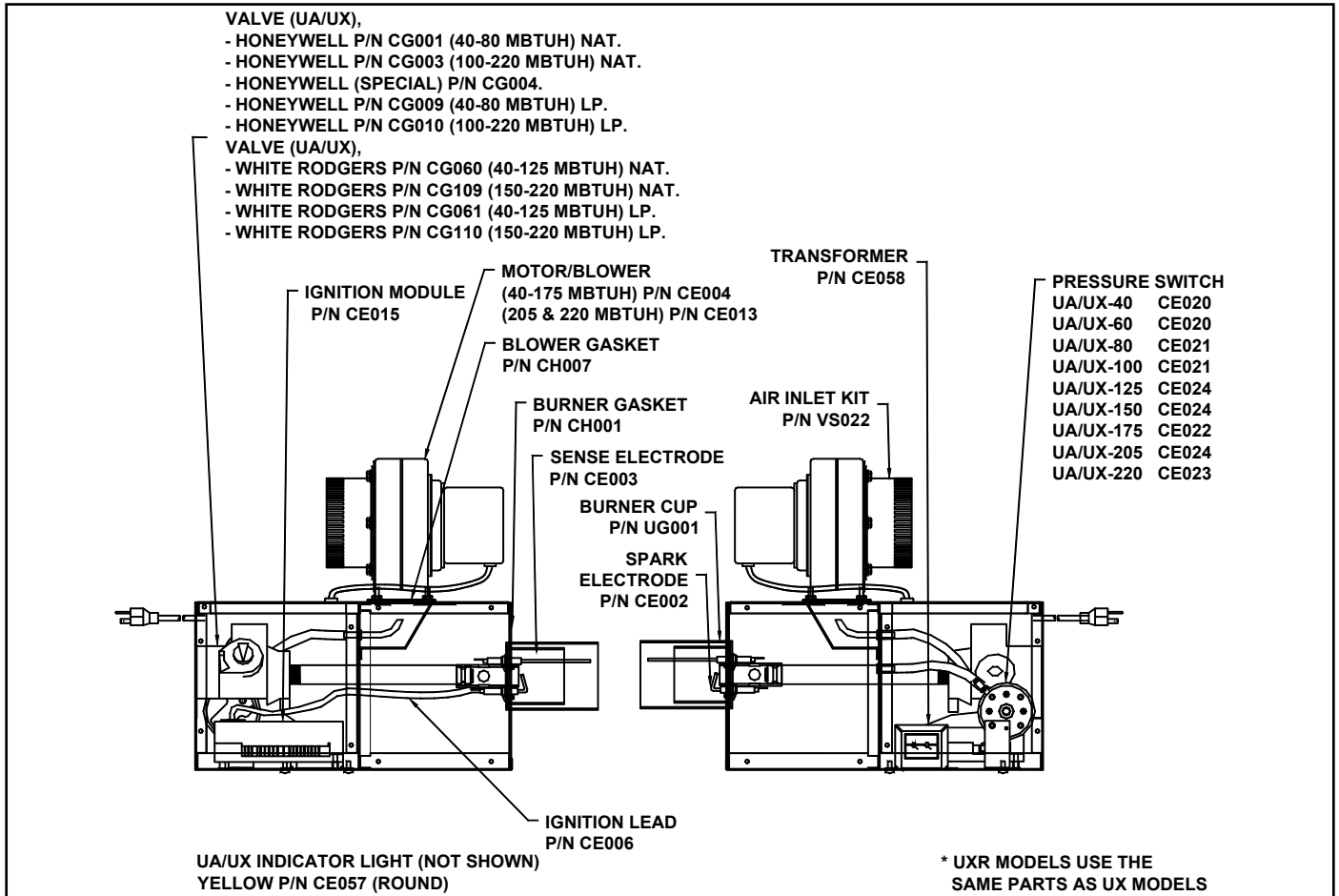


Figure 26