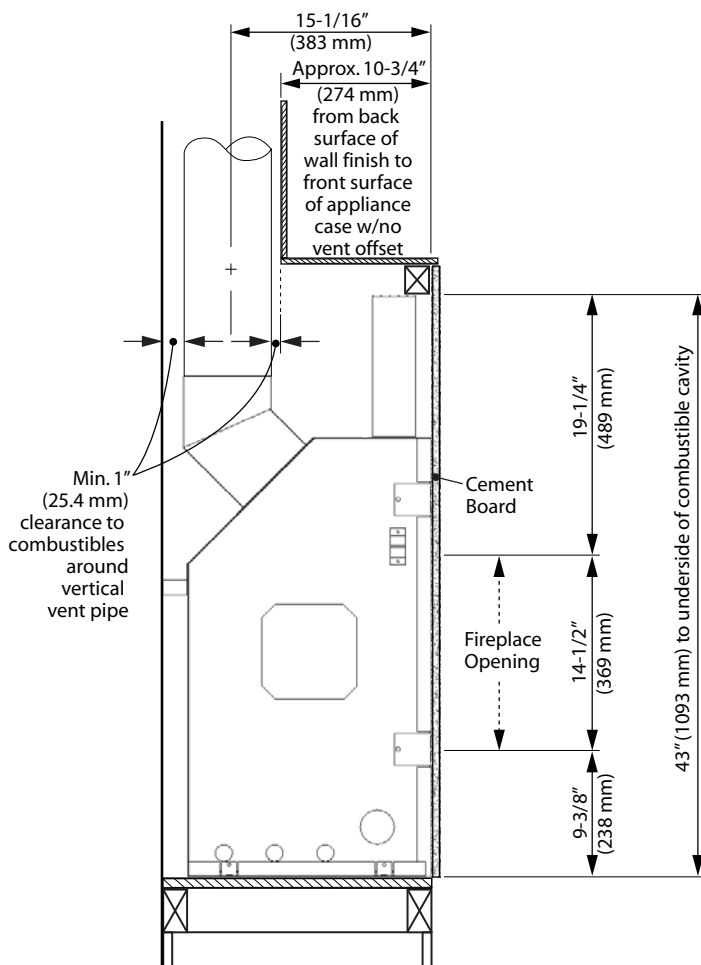
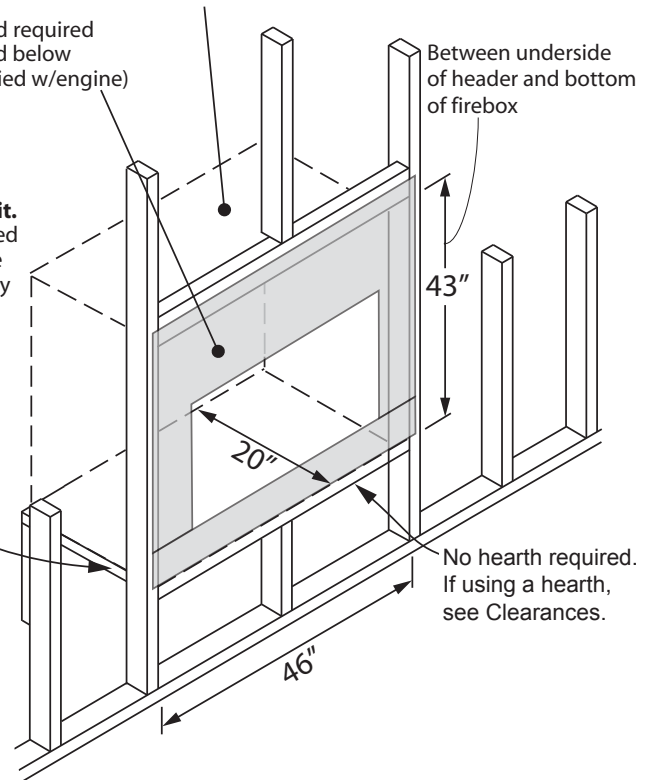


Framing Dimensions

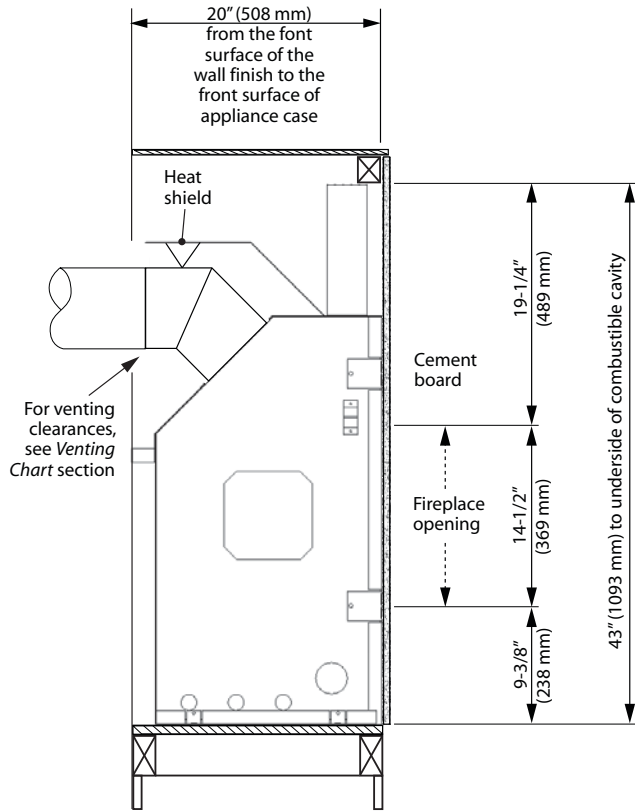
NOTE: Height of cavity may be affected by vent configuration

1/2" thick cement board required above, on each side and below engine opening (supplied w/engine)

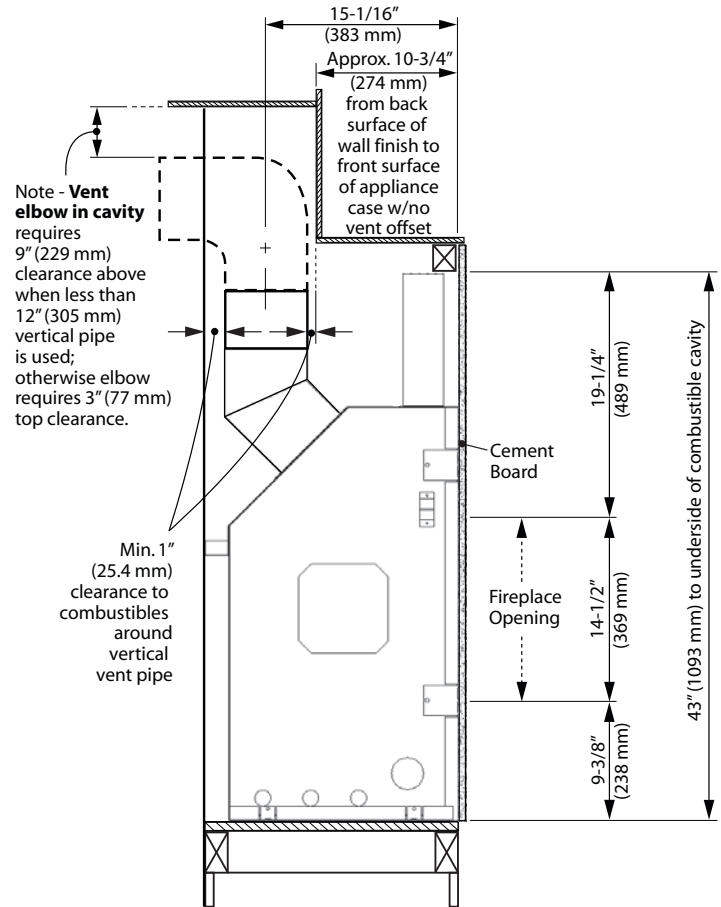
NOTE: This unit requires a solid platform to support it. Combustible framing allowed beneath fireplace. When the appliance is installed directly on carpeting, tile or other combustible material other than wood flooring, the appliance shall be installed on a metal or wood panel extending the full width and recessed depth of the appliance



Framing with Partial Shelf—Top Outlet



Framing with Full Shelf—Rear Outlet



Framing with Partial Shelf—Top Outlet, vent elbow in cavity