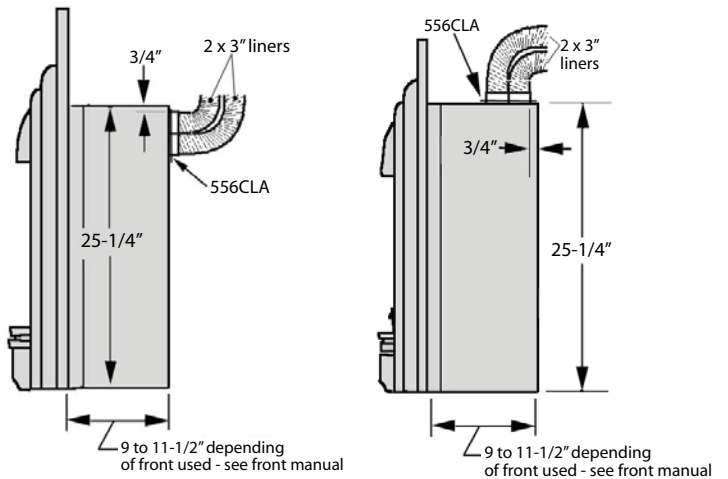


Co-linear Venting into Existing Solid-Fuel Burning Fireplaces and Chimneys

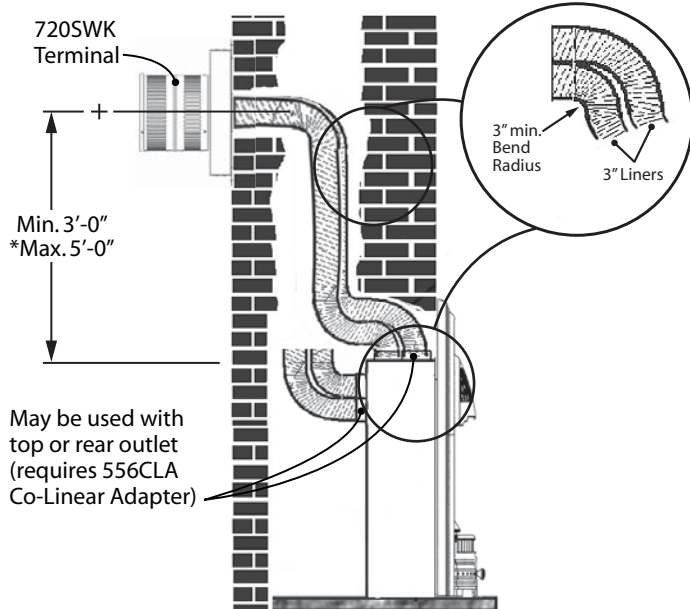
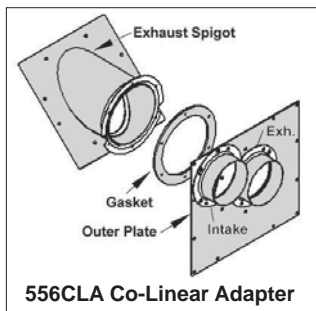
Co-linear adapter may be installed as top or rear outlet.

- Co-linear and co-axial venting may be combined in a single venting system provided conversion is done only once using approved components and maintaining proper clearances;
- Three-inch liners may only be installed into solid-fuel burning fireplaces and chimney systems (no combustible construction);
- The appliance must not be connected to a chimney flue serving a separate solid-fuel burning appliance.
- Restrictors not required for co-linear sidewall venting with less than 5'-0" vertical rise. For restrictor settings beyond 5'-0" refer to chart in appliance's installation manual.



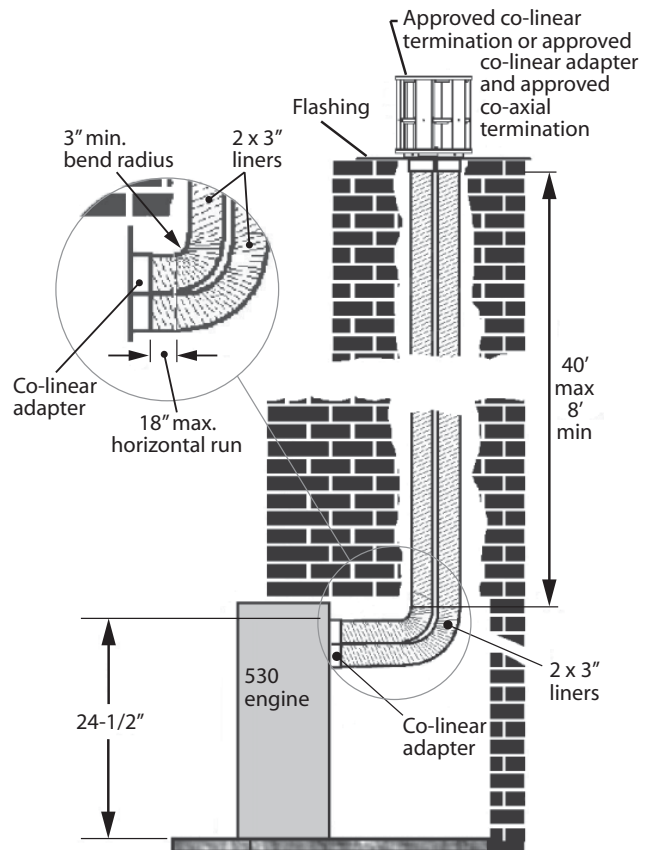
556CLA Rear Mounted

556CLA Top Mounted

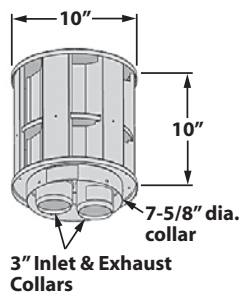


* May be extended beyond 5'-0". Refer to the 720SWK installation instructions

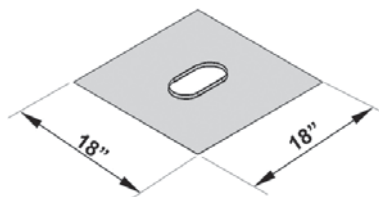
Sidewall co-linear installation into existing F/P using 720SWK—for units with logs or rocks only



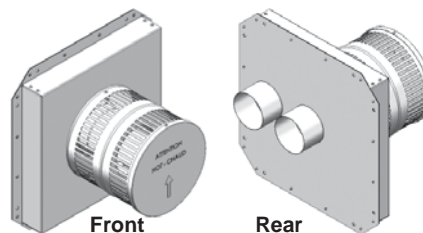
Vertical co-linear installation into existing F/P



559CLT Co-Linear Vertical Terminal

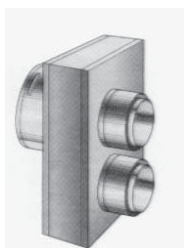


559FSK Flashing Kit

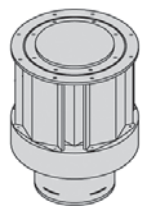


720SWK Sidewall Horizontal Terminal
—for logs or rocks units only

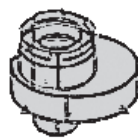
Alternate to 556CLA/559CLT/559FSK Conversion for vertical termination



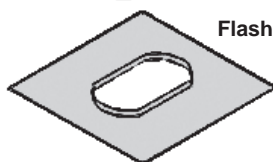
Co-Axial to Co-Linear Adapter



Terminal Cap



Co-Linear to Co-Axial Adapter



Flashing